

## Bimetal thermometers BiTh K with plastic thermowell



### Benefits

- Range: 0/60 °C
- Stem made of plastic

### Application

Heating, plumbing, distribution systems, underfloor heating distributors

### Technical specifications

**Nominal size**  
50

**Measuring element**  
Bimetal helix

**Accuracy class**  
2 (EN 13190)

#### Standard version

**Connection**  
Stem: Plastic, Ø 9 mm  
Thermowell: G½B, Plastic, Ø 14 mm, removable

**Mounting position**  
Centre back

**Dial**  
Plastic, white  
Scaling black

**Ranges °C**  
0/60

**Application area**  
Full scale value

**Operating pressure at thermowell**  
Max. 6 bar

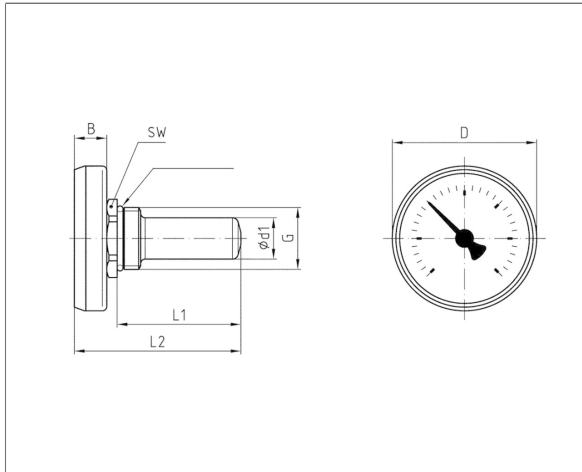
**Pointer**  
Plastic, black

**Housing**  
ABS, white

**Window**  
Plastic, clipped in

## Technical drawings

### Centre back connection, NG 50



### Dimensions (mm)

NG	B	D	d1	G	L1	L2	SW
50	11	49	14	G $\frac{1}{2}$ B	42	56,5	24

## Versions

### BiTh 50 K

	Housing $\varnothing$	Connection	Mounting position	Range	Stem length	Type	Part no.
	50 mm	Thermowell	Centre back	0/60 °C	40 mm	BiTh 50 K	63749

Blue part no. = in-stock items