



Pressure transducers HydroFox® DMU 08 T Level probe



Benefits

- With integrated temperature measurement
- Compact and sturdy stainless steel design
- Integrated overvoltage protection
- Special calibration for all standard pressure units possible

Application

For electronic, continuous level measurement, e.g. in wells, drilling holes, water, containers or in waste water systems. Suitable for groundwater, waste water (with optional FEP cable), diesel fuel and fuel oil.

Description

Pressure transducers HydroFox® DMU 08 convert physical pressure into an electrical signal proportional to the pressure. HydroFox® DMU 08 uses a piezo-resistive silicon measuring cell.



Technical specifications

Measuring accuracy

Deviation from the characteristic curve according to IEC 60770 – limit point calibration (non-linearity, hysteresis, repeatability)

≤ 0/400 mbar < ± 0.5 % FSO
> 0/400 mbar < ± 0.35 % FSO

Measuring range

See ordering table

Operating temperature range

Medium: -10/+70 °C
Ambient: -10/+70 °C
Storage: -25/+70 °C

Temperature error band

≤ 400 mbar: ≤ ± 1 % FSO In compensated range 0/70 °C
> 400 mbar: ≤ ± 0.75 % FSO In compensated range 0/70 °C

Dynamic characteristics

Response time: ≤ 10 ms

Probe

L x ø: 129 x 26.5 mm

Material

Housing: Stainless steel 316 L
Diaphragm: Stainless steel 316 L
Seals: FKM (Viton)
Cable: PUR

Pressure transmission liquid

Silicone oil

Supply voltage

Pressure: DC 12 – 30 V
Temperature: DC 10 – 30 V

Output signal

4–20 mA, 2-wire

Load

$R_{Max} = [(UB - UB_{Min})/0.02 A] \Omega$

Current input

< 25 mA

Electrical protection

Short circuit proof and protected against reverse polarity

Electrical connection

PUR cable with integrated breather tube for reference to the ambient atmospheric pressure
Cable length: 5 m
Degree of protection: IP 68 (EN 60529)

CE conformity

EMC Directive 2014/30/EU
RoHS Directive 2011/65/EU
Pressure Equipment Directive 2014/68/EU

Options

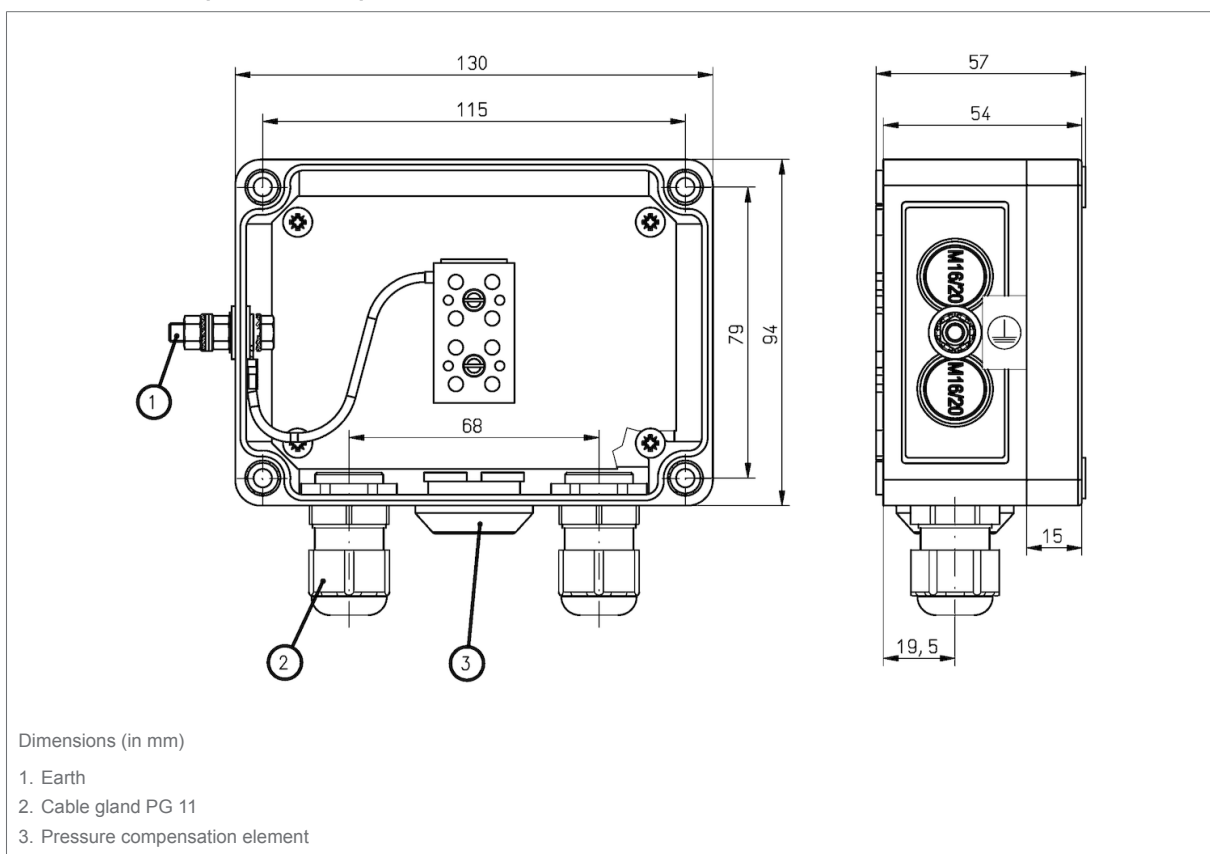
- FEP cable
- Other measuring ranges
- Screw connector kit
- Junction box
- Anchor clamp
- Extended weight



Detail views

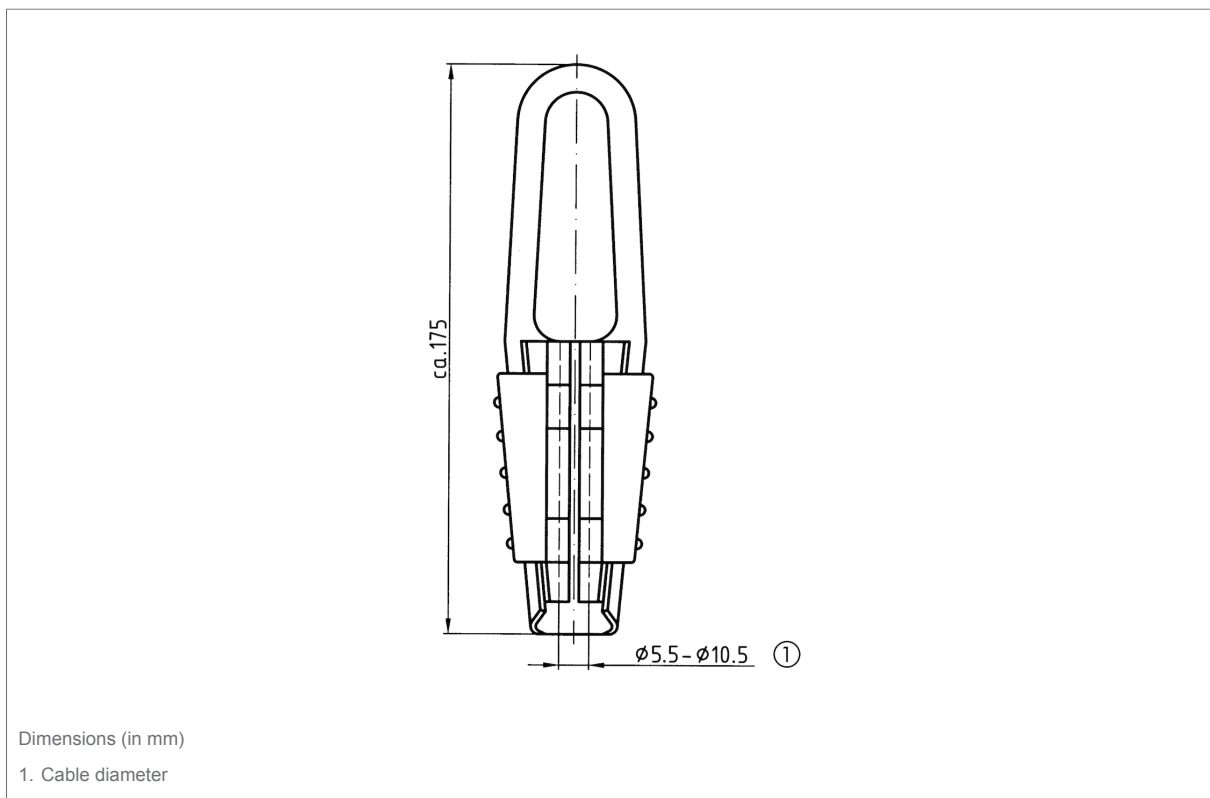


Junction box with pressure relief port



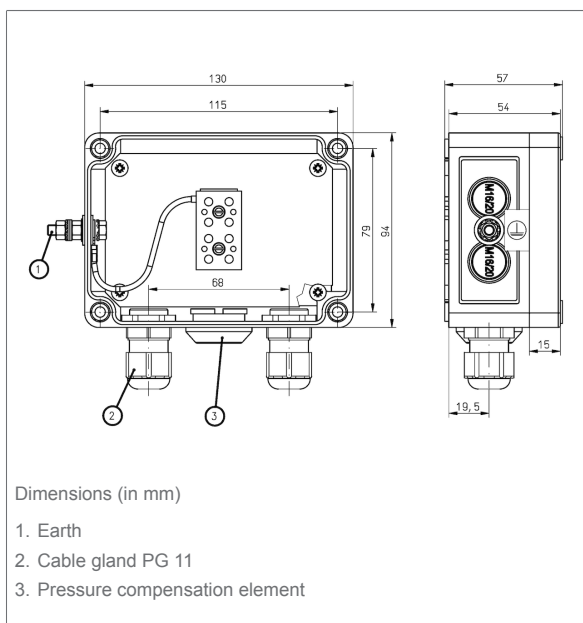


Anchor clamp

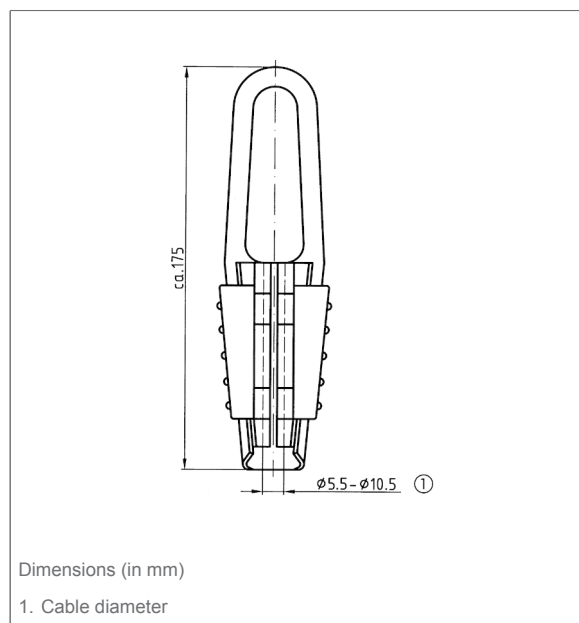


Technical drawings

Junction box with pressure relief port

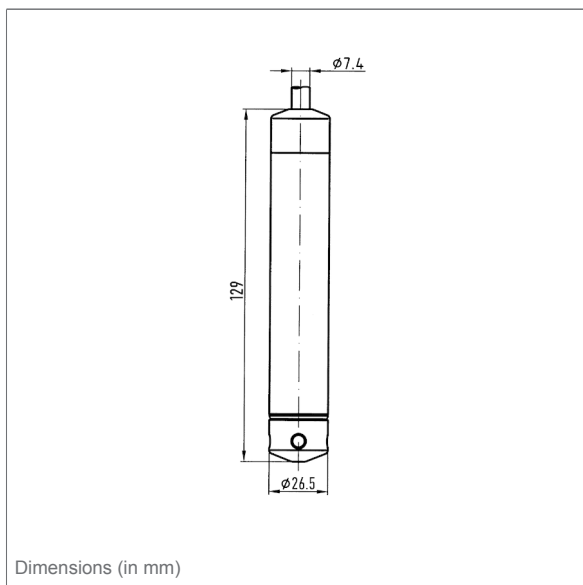


Anchor clamp

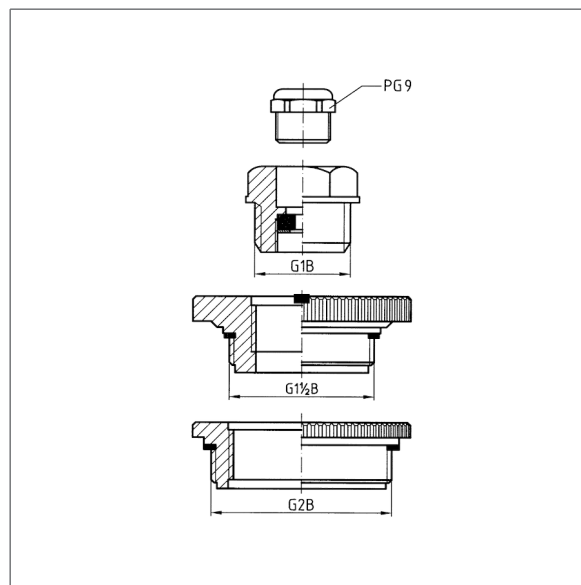




DMU 08 T - standard version



Screw connector kit



Versions

	Measuring range	Overload	Part no.
HydroFox® DMU 08 T	0/100 mbar	At least 5 x FS	31555T0070
HydroFox® DMU 08 T	0/160 mbar	At least 6 x FS	31556T0070
HydroFox® DMU 08 T	0/200 mbar	At least 4 x FS	31557T0070
HydroFox® DMU 08 T	0/250 mbar	At least 4 x FS	31558T0070
HydroFox® DMU 08 T	0/300 mbar	At least 4 x FS	31519T0070
HydroFox® DMU 08 T	0/400 mbar	At least 5 x FS	31559T0070
HydroFox® DMU 08 T	0/600 mbar	At least 8 x FS	31560T0070
HydroFox® DMU 08 T	0/1 bar	At least 5 x FS	31561T0070
HydroFox® DMU 08 T	0/1.6 bar	At least 6 x FS	31562T0070
HydroFox® DMU 08 T	0/2 bar	At least 4 x FS	31563T0070
HydroFox® DMU 08 T	0/2.5 bar	At least 4 x FS	31564T0070
HydroFox® DMU 08 T	0/4 bar	At least 5 x FS	31565T0070
HydroFox® DMU 08 T	0/6 bar	At least 6 x FS	31566T0070
HydroFox® DMU 08 T	0/10 bar	At least 4 x FS	31567T0070

Blue part no. = in-stock items



	Measuring range	Overload	Part no.
HydroFox® DMU 08 T	0/16 bar	At least 5 x FS	31568T0070
HydroFox® DMU 08 T	0/20 bar	At least 3 x FS	31569T0070
HydroFox® DMU 08 T	0/25 bar	At least 3 x FS	31570T0070

Blue part no. = in-stock items