



Resistance thermometers WTh 24



Benefits

- Suitable for use in mechanical engineering, plant engineering, appliance engineering, process engineering and chemical industry
- Screw-in resistance thermometer with Pt100 sensor
- Wetted parts 316 Ti

Application

Screw-in resistance thermometer for medium pressure and flow loads, specially for mechanical engineering and plant engineering

Technical specifications

Sensor

1 x Pt100
3-wire
Class B, IEC 751

Measuring insert

Replaceable

Thermowell

As per DIN 43772
Ø 9 x 1 mm
Stainless steel 316 Ti

Neck

Ø 9 x 1 mm
Length: 25 mm
Stainless steel 316 Ti

Process connection

G½B
Stainless steel 316 Ti

Installation length

100, 160, 250 mm

Connection head

Type B As per DIN 43729
Aluminium die cast

Electrical connection

Cable gland

Degree of protection

IP 54 (EN 60529)

Measuring range

-35/+180 °C

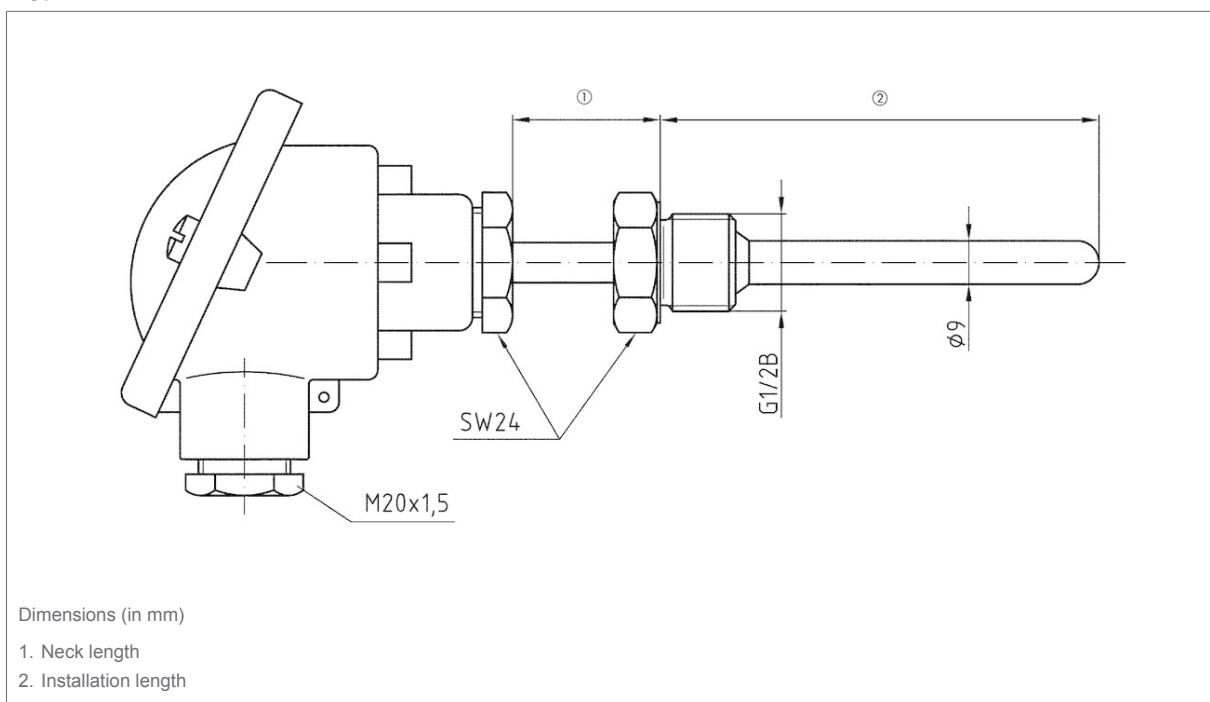
Options

- Sensor class A
- Sensor Pt1000
- Transmitter installation (standard: 0/100 °C = 4-20 mA)
- Other installation lengths



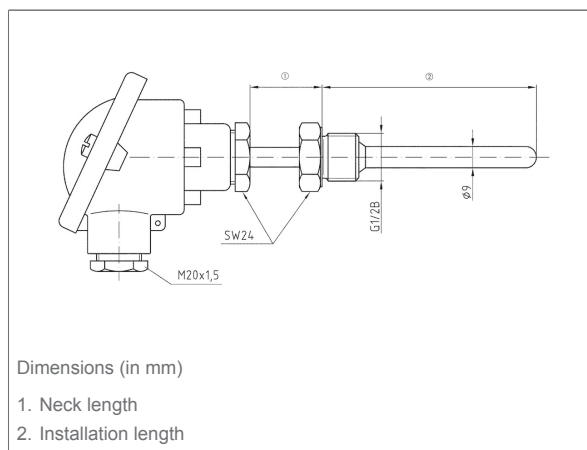
Detail views

Type WTh 24



Technical drawings

Type WTh 24





Versions

	Installation length	Part no.
 Resistance thermometers WTh 24	100 mm	32210
Resistance thermometers WTh 24	160 mm	32211
Resistance thermometers WTh 24	250 mm	32212

Blue part no. = in-stock items