



Diaphragm seal MD 21 Compact version



Benefits

- Robust, compact stainless steel design
- Ideal for waste water, suspensions and corrosive media
- Suitable for high pressure ranges

Application

For mounting to Bourdon tube pressure gauges, pressure transducers or pressure switches. For corrosive, hot and polluted media at high pressures. Specially suitable for mechanical engineering and chemical industry applications.

Versions

DIN 3852 type A

	Process connection	Instrument connection	Nominal pressure	Minimum range* (in bar) at nominal size					Part no.
				63	100	160	DMU	DMU 13 Vario	
	G½B	Welded connection	PN 600	6 bar	6 bar	–	1 bar	–	31415W
	G¾B	Welded connection	PN 1000	4 bar	4 bar	4 bar	1 bar	–	31416W
	G1B	Welded connection	PN 1000	4 bar	4 bar	4 bar	1 bar	4 bar	31328W
	G1½B	Welded connection	PN 600	0.6 bar	1.6 bar	1.6 bar	0.6 bar	1.6 bar	31329W
	G2B	Welded connection	PN 600	0.6 bar	0.6 bar	0.6 bar	0.6 bar	0.6 bar	31330W

Blue part no. = in-stock items



Technical specifications

Process connection

Stainless steel 316 Ti/316 L
 Fixed male thread G½B, G¾B, G1B, G1½B (depends on type)
 DIN 3852 type A

Diaphragm

Stainless steel 316 Ti/316 L
 Flush, welded to upper body, no dead space

Instrument connection

Welded connection

Pressure transmission liquid

Paraffin oil (FM 09), FDA-listed

Pressure range

See ordering table

Nominal pressure

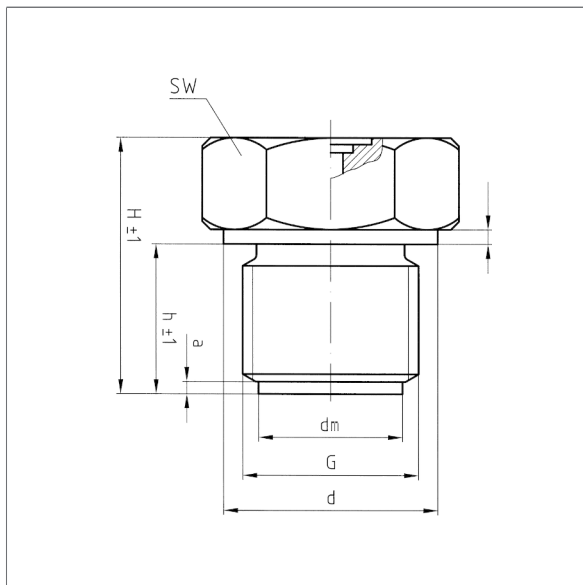
PN 600, PN 1000

Options

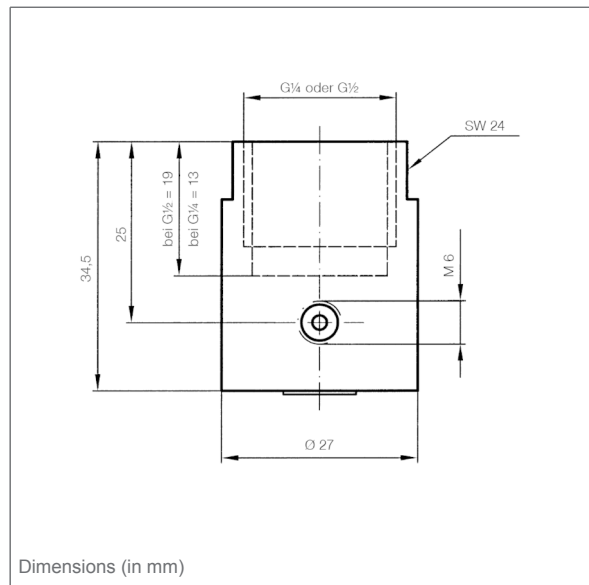
- Adapter for instrument connection G¼B/G½B
- Cooling element (> 100 °C)
- Capillary tube
- Other threads
- Other materials
- Other filling liquids

Technical drawings

Type MD 21



Adapter for instrument connection G¼/G½ with filling port



Dimensions (in mm)

G	d	dm	h	H	a	b	SW
G½B	26	17,2	17	33,5	3	3	27
G¾B	32	23,5	19	34	3	3	32
G1B	39	28	21	36	3	3	41
G1½B	55	40	25	48	3	3	55
G2B	68	50	27	56	3	3,5	70



Cooling element, can be welded at both ends

