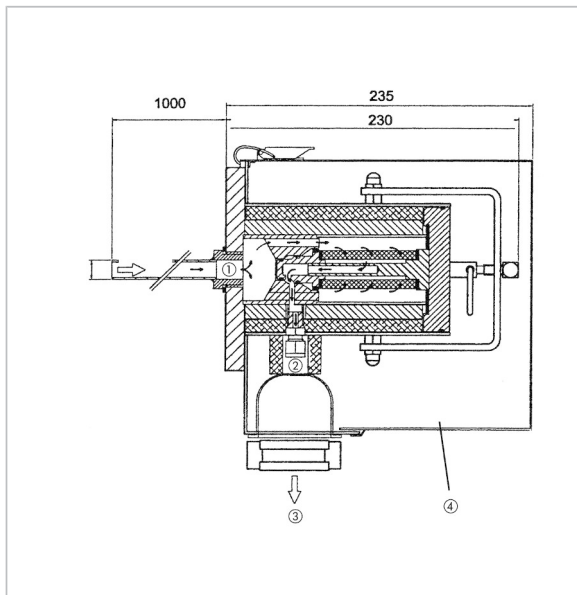




## Stationary gas sampling probe SP 210



### Benefits

- Low dead volume, short response time
- Simple filter replacement
- Easy cleaning of filter chamber and withdrawal pipe
- Self-controlling electrical heating system with undertemperature alarm contact
- Modular design for optimum adaptation to process requirements/measuring task

### Application

For stationary, continuous sampling of gases and filtration of particulate matter at the sampling point. Part of the required maintenance of a complete analysis system can thus be focused on the first component in the chain of components; mixtures of particulate matter and coarse dust are filtered to a high degree.

### Versions

	Part no.
Gas sampling probe SP 210-H heated	68935
Gas sampling probe SP 210-H/W heated	68936
Sampling pipe SP 210 Stainless steel	68940
Sampling pipe SP 210 Titanium for corrosive gases	68941
Sampling pipe SP 210 Kanthal	68942
Pre-filter VFS-2 for dust admission 2–16 g/m	68945
Pre-filter VFS-10 for dust admission > 10 g/m	68946
Filter element F-2K	68950

Blue part no. = in-stock items

### Description

Stationary gas sampling probe with external, electrically heated ceramic filter; with mounting flange and G $\frac{3}{4}$  female thread for sampling pipe or pre-filter. A deep-bed filter element with a large surface is located in a housing with a low dead volume outside of the withdrawal space. The filter element is easy to replace; no tools are required and the heated pipe does not need to be dismantled. Heating of the complete filter housing



including the mounting flange ensures reliable operation without dew point problems in external areas. The unit is heated to +180 °C by means of self-controlling heating elements. Therefore, a temperature controller or safety temperature cut out is not required. A thermostwitch monitors the withdrawal probe for low temperatures. Version SP 210-HP with weather protection hood for outdoor applications.

## Technical specifications

### Operating temperature range

Ambient: -20/+80 °C  
Medium: Max. 1,300 °C

### Sampling pressure

0.4/2 bar absolut

### Dust admission

Max. 1 g/m<sup>3</sup>

### Filter space volume:

100 ml

### Filter element

F-2K

Filter fineness: 2 µm

Material: Ceramic

### Probe heating

180 °C, self-controlling

Alarm contact: < 160 °C

Switch rating: AC 250 V, 3 A

Switch rating: DC 30 V, 3 A

### Connection gas outlet

Swagelok pipe connector Ø 6 x 1 mm

### Supply voltage

AC 110 – 240 V, 50/60 Hz

### Power input

Starting phase: 400 VA

Operation: 70 VA

Fuse rating: 6 A

### Mounting flange

DN 65 PN 6, type B as per EN 1092

Stainless steel 316 Ti

### Wetted parts

Stainless steel 316 Ti, FPM (Viton), Ceramic

### Housing

W x H x D: 170 x 220 x 230 mm

Weight

SP 210-H: 6.5 g

SP 210-H/W: 8.5 kg

### Degree of protection

SP 210-H: IP 54 (EN 60529)

SP 210-H/W: IP 55 (EN 60529)

## Technical drawings

