



## Pressure transducers DeltaFox DMU 10 D Version for differential pressure measurement



### Benefits

- Compact design
- Robust aluminium housing
- High long-term stability
- High overpressure safety
- Long service life

### Application

For electronic differential pressure measurement at very low differential pressure. For non-corrosive gaseous media. Particularly suitable for monitoring filters and fans in air and air conditioning applications.



## Technical specifications

### Measuring accuracy

Deviation from the characteristic curve according to IEC 60770 – limit point calibration (non-linearity, hysteresis, repeatability)

< 0/40 mbar:	$\leq \pm 2\%$ FSO
$\leq 0/160$ mbar:	$\leq \pm 1\%$ FSO
> 0/160 mbar:	$\leq \pm 0.35\%$ FSO

### Measuring range

See ordering table

### Overpressure safety

$\leq 0/10$ mbar:	100 mbar
$\leq 0/25$ mbar:	200 mbar
$\leq 0/60$ mbar:	350 mbar
$\leq 0/400$ mbar:	1,000 mbar
> 0/400 mbar:	3,000 mbar

### Operating temperature range

Medium:	-25/+125 °C
Ambient:	-25/+85 °C
Storage:	-40/+100 °C

### Temperature error band

$\leq 0/10$ mbar:	$\leq \pm 2\%$ FSO In compensated range 0/60 °C
$\leq 0/25$ mbar:	$\leq \pm 1.5\%$ FSO In compensated range 0/60 °C
$\leq 0/250$ mbar:	$\leq \pm 1\%$ FSO In compensated range 0/60 °C
> 0/250 mbar:	$\leq \pm 0.5\%$ FSO In compensated range 0/60 °C

### Dynamic characteristics

Response time: < 5 ms

### Process connection

2 x G $\frac{1}{8}$ B female thread

## Options

- Other process connections
- Other electrical connections
- Digital plug-in display DA 06

### Material

Housing: Aluminium, eloxed, silver  
Pressure connection: Aluminium  
Seal: PUR glued

### Supply voltage

DC 8 – 32 V

### Output signal

2-wire, 4–20 mA

### Load

$R_{Max} = [(UB - UB_{Min})/0.02 A] \Omega$

### Current input

< 25 mA

### Electrical protection

Short circuit proof and protected against reverse polarity

### Electrical connection

Connector and junction box as per ISO 4400 (DIN 43650-A)

### Degree of protection

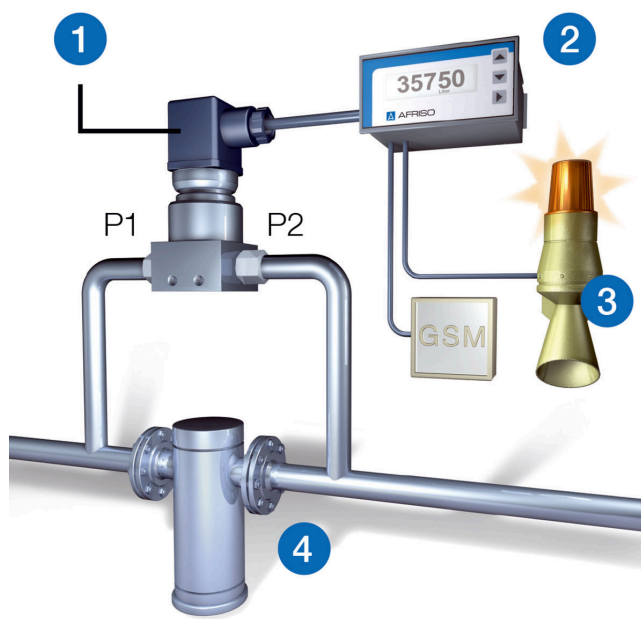
IP 65 (EN 60529)

### CE conformity

EMC Directive 2014/30/EU  
RoHS Directive 2011/65/EU

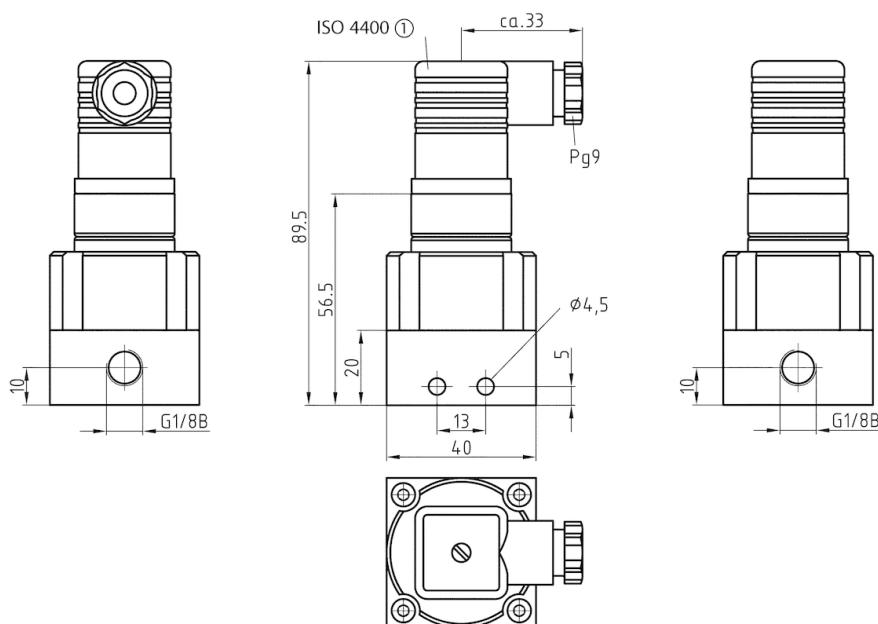


### Detail views



1. DeltaFox DMU 10 D
2. Digital display and control unit DA 14
3. Alarm filter replacement
4. Filter

### DMU 10 D - connection 2 x G $\frac{1}{8}$ female thread



Dimensions (in mm)

1. Connector

