



Boiler water low level alarm WMS-WP6 - mechanical



Benefits

- For protection of the boiler when the water level is too low
- TÜV-tested as a water level switch
- Direct mounting via welding socket or connection thread
- With test button for function test

Application

For sealed heating systems to protect the boiler as per EN 12828 in the case of low water levels.

Versions

	Part no.
Boiler water low level alarm WMS-WP6 with welding socket DN 20	42300
Boiler water low level alarm WMS-WP6 without locking, with welding socket DN 20	42305
Boiler water low level alarm WMS-WP6-R2 with connection thread R2 male	42319
Upper part WMS-WP6 with locking	42310
Upper part WMS-WP6 without locking	42311
Probe housing WMS-WP6 with welding socket DN 20	42368

Blue part no. = in-stock items

Description

Mechanical boiler water low level alarm with float. Consisting of a cast brass body with welding sockets and a float mechanism, an electrical switch, test and unlock buttons. TÜV-tested as a water level limiter. If the water level in the boiler drops below a minimum level, a float activates a switch. The power supply to the boiler is interrupted. A locking mechanism keeps the burner from switching back on automatically. The test button allows the float to be lowered to simulate a low water alarm condition.

Version WMS-WP6-R2 with male connection thread R2 for direct installation in the boiler.



Technical specifications

Operating temperature range

Medium: Max. 120 °C
Ambient: Max. 70 °C

Housing

Probe body: Cast brass
Height
WMS-WP6: 358 mm
WMS-WP6-R2: 271 mm
Degree of protection: IP 54 (EN 60529)

Float

Plastic

Connection

WMS-WP6: Welding socket DN20
WMS-WP6-R2: Male thread R/2

Operating pressure

Max. 10 bar

Test pressure

15 bar

Contact rating

AC 250 V, 6 (2) A

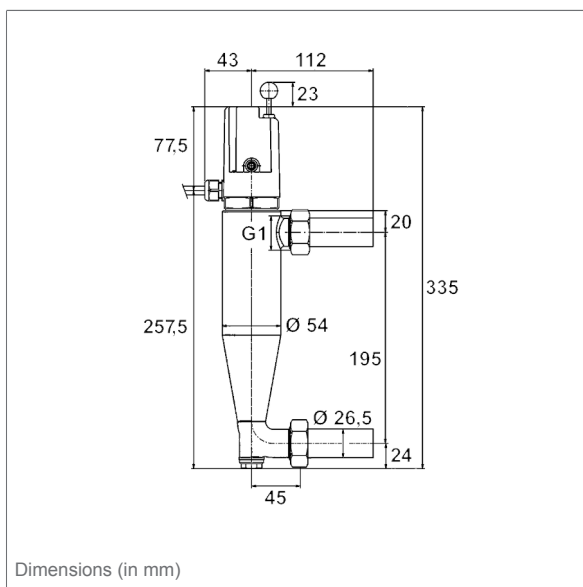
Type approval mark

TÜV.WBH.yy-232

"yy" represents the year of the approval

Technical drawings

WMS-WP6 DN 20



WMS-WP6-R2

