



## Resistance thermometers WTh 26



### Benefits

- Suitable for use in mechanical engineering, plant engineering, appliance engineering, process engineering and chemical industry
- Weld-in resistance thermometer with Pt100 sensor
- Wetted parts 316 Ti

### Application

Weld-in resistance thermometer for high pressure and flow loads

### Technical specifications

#### Sensor

1 x Pt100  
3-wire  
Class B, IEC 751

#### Measuring insert

Replaceable  
Diameter: 6 mm

#### Thermowell

as per DIN 43772-4  
Stainless steel 316 Ti

#### Neck

Ø 11 x 2 mm  
Length: 140 mm  
Stainless steel 316 Ti

#### Process connection

Weld-in thermowell according to DIN 43772  
Stainless steel 316 Ti

#### Installation length

65, 100, 160, 250 mm

#### Connection head

Type B As per DIN 43729  
Aluminium die cast

#### Electrical connection

Cable gland

#### Degree of protection

IP 54 (EN 60529)

#### Measuring range

-35/+550 °C

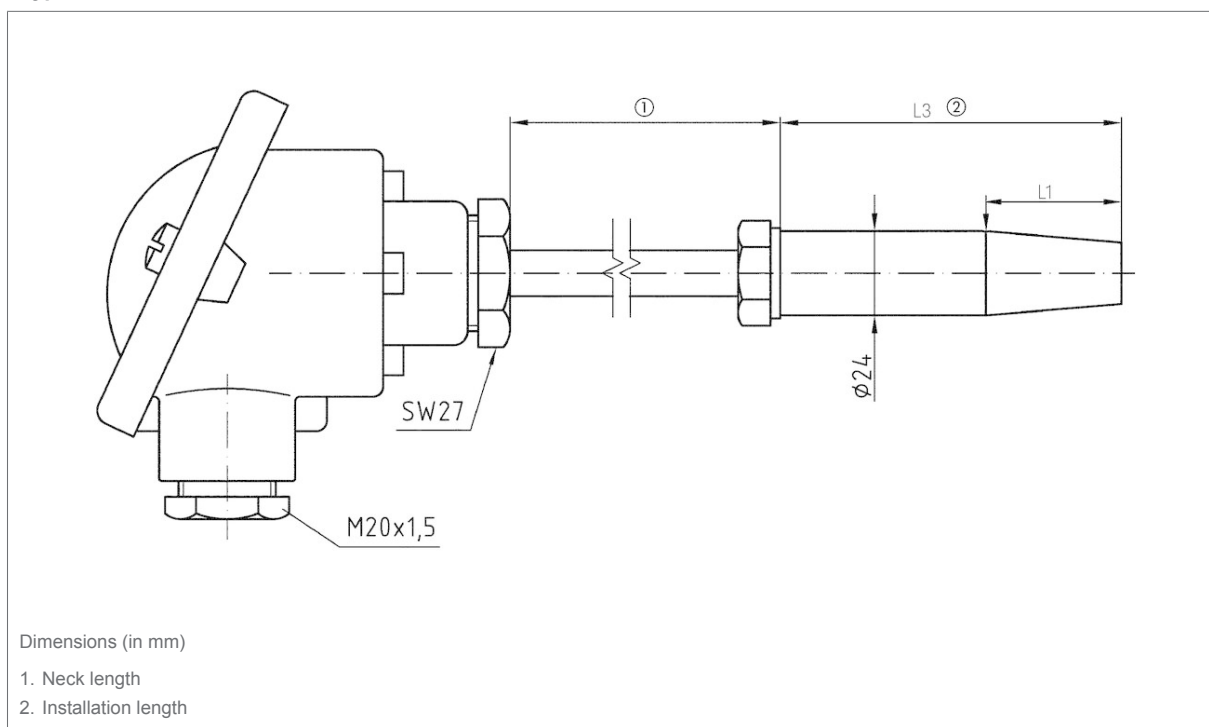
### Options

- Sensor class A
- Without thermowell (thread M18 x 1.5 or M14 x 1.5)
- Transmitter installation
- Other thermowell materials
- Other process connections
- Other installation lengths
- Other connection heads



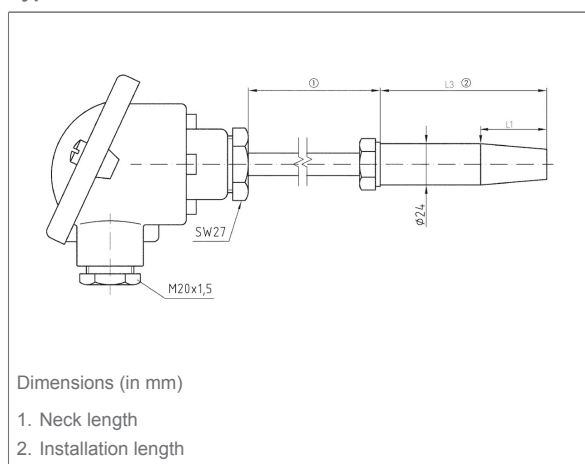
## Detail views

### Type WTh 26



## Technical drawings

### Type WTh 26





## Versions

	Installation length	Part no.
 Resistance thermometers WTh 26	65 mm	32250
Resistance thermometers WTh 26	100 mm	32251
Resistance thermometers WTh 26	160 mm	32253
Resistance thermometers WTh 26	250 mm	32254

Blue part no. = in-stock items