



Resistance thermometers WTh 27



Benefits

- Suitable for use in mechanical engineering, plant engineering, process engineering chemical industry
- Resistance thermometer with Pt100 sensor
- Flange connection
- Wetted parts 316 Ti

Application

Flange-type resistance thermometer for medium pressure and flow loads

Technical specifications

Sensor

1 x Pt100
3-wire
Class B, IEC 751

Measuring insert

Replaceable
Diameter: 6 mm

Thermowell

∅ 11 x 2 mm
Stainless steel 316 Ti

Neck

∅ 11 x 2 mm
Length: 120 mm
Stainless steel 316 Ti

Process connection

Flange as per
EN 1092-1 type B 1
Stainless steel 316 Ti
Nominal diameter: DN 20
Nominal pressure: PN 40

Installation length

100, 160, 250, 400 mm

Connection head

Type B As per DIN 43729
Aluminium die cast

Electrical connection

Cable gland

Degree of protection

IP 54 (EN 60529)

Measuring range

-35/+400 °C

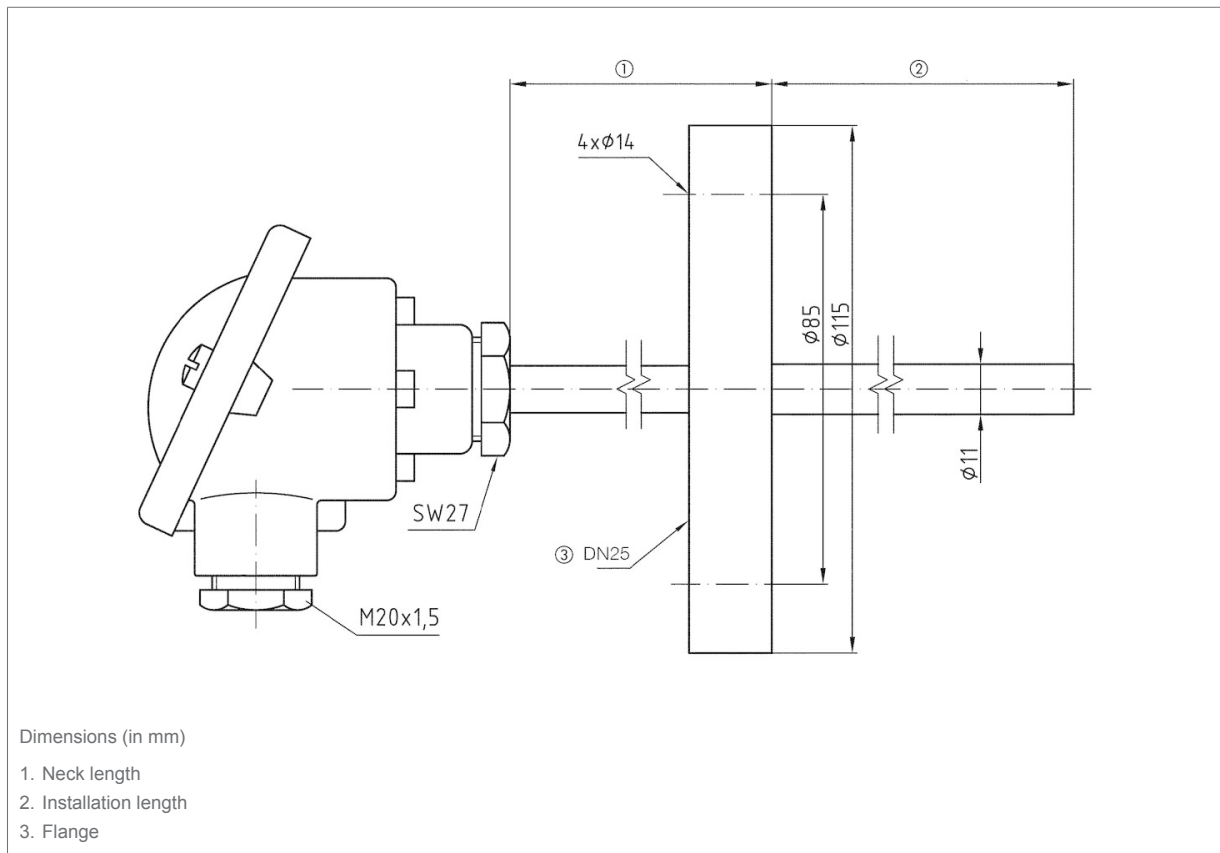


Options

- Sensor class A
- Reduced measuring tip (6 mm)
- Transmitter installation
- Other thermowell materials
- Other process connections
- Other installation lengths
- Other connection heads

Detail views

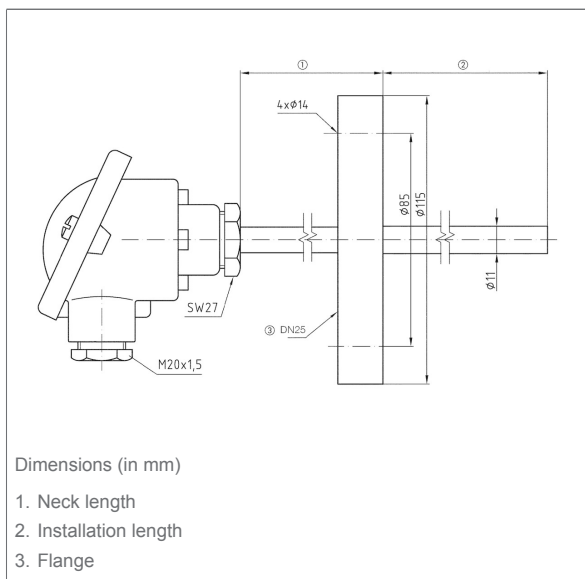
Type WTh 27





Technical drawings

Type WTh 27



Versions

	Installation length	Part no.
Resistance thermometers WTh 27	100 mm	32260
Resistance thermometers WTh 27	160 mm	32261
Resistance thermometers WTh 27	250 mm	32262
Resistance thermometers WTh 27	400 mm	32263

Blue part no. = in-stock items