

Combined thermometer/pressure gauge THMK With capillary tube



Benefits

- Ideal for boilers and hot water storage tanks
- Corrosion-resistant, highly impact-resistant plastic housing
- Many customised versions available

Application

Heating, cooling and plumbing, e.g. boilers, hot water storage tanks.

Technical specifications

Nominal size
52

Range

Pressure: 0/6 bar 0/4 bar
Temperature: 0/120 °C

Accuracy/test point

Pressure: 4,0
Temperature: 50 °C = ± 3 °C

Measuring principle

Pressure: Bourdon tube, Copper alloy
Temperature: Liquid filling

Application area

Pressure
Static load: $\frac{1}{4}$ x full scale value
Dynamic load: $\frac{2}{3}$ x full scale value
Short-term: Full scale value
Temperature: Full scale value

Operating temperature range

Medium: Full scale value
Ambient: Max. 70 °C

Operating pressure

Without pressure

Degree of protection

IP 32 (EN 60529)



Standard version

Connection

Pressure: G $\frac{1}{4}$ B, Brass
 Temperature: \varnothing 6 x 30 mm, Copper
 Capillary tube: Copper with PVC coating (R3, grey)

Dial

Plastic, black
 Scaling white

Pointer

Plastic, white

Housing

Plastic (ABS), grey

Window

Plastic with reference pointer

Bezel

Push on bezel
 Plastic (ABS), black

Capillary length

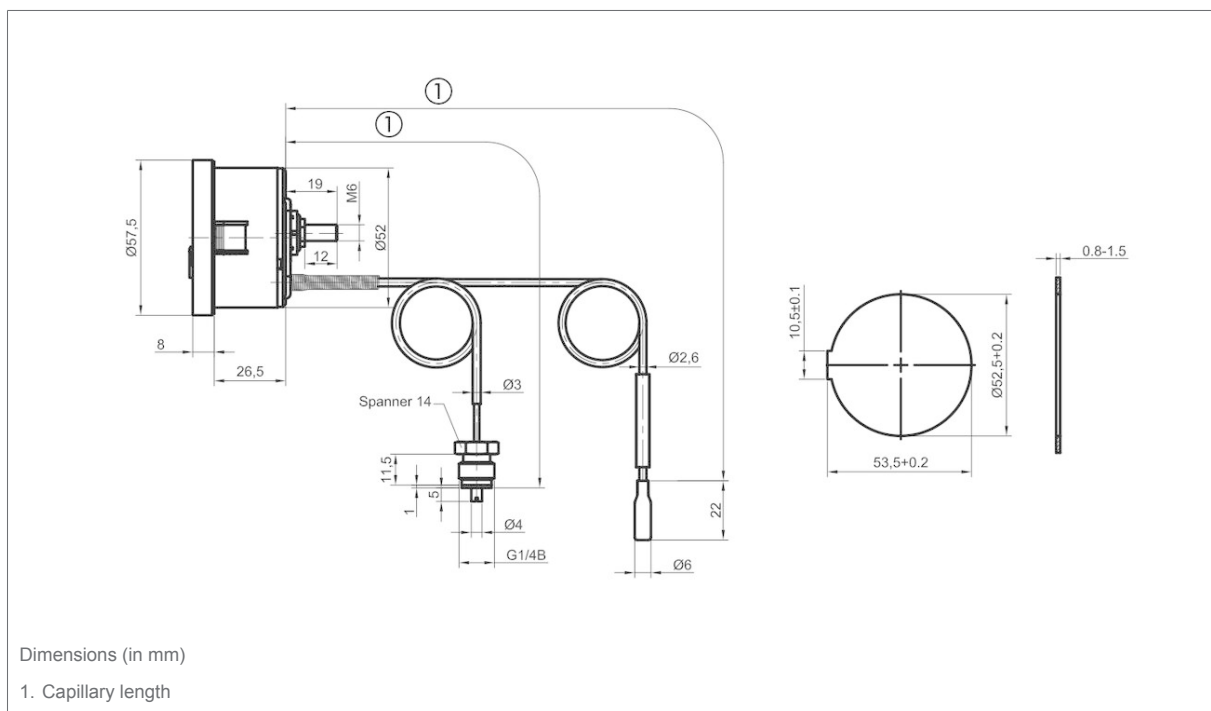
1,500, 500, 1,000, 2,000 mm

Options

- Dial with customer logo
- Various capillary lengths
- Special colours for housing, dial, pointer

Detail views

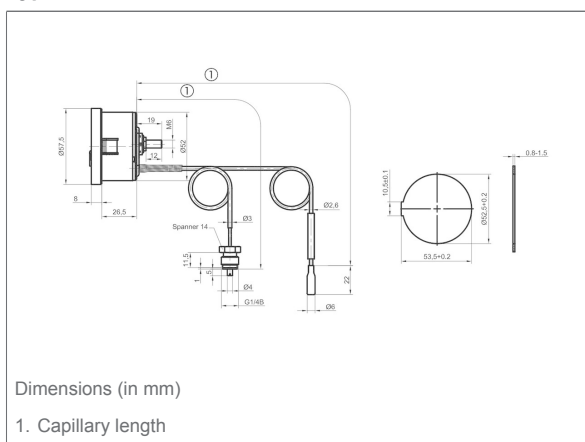
Type THMK 52





Technical drawings

Type THMK 52



Versions

THMK 52

	Housing ø	Pointer	Dial	Scale	Range		Capillary length	Type	Part no.
					Temperature	Pressure			
	52 mm	White	Black	White	0/120 °C	0/6 bar	1,500 mm	THMK 52	67636125
	52 mm	White	Black	White	0/120 °C	0/4 bar	500 mm	THMK 52	67635105
	52 mm	White	Black	White	0/120 °C	0/4 bar	1,000 mm	THMK 52	67635115
	52 mm	White	Black	White	0/120 °C	0/4 bar	1,500 mm	THMK 52	67635125
	52 mm	White	Black	White	0/120 °C	0/4 bar	2,000 mm	THMK 52	67635135

Blue part no. = in-stock items