

Standard capsule pressure gauges Type D4



Benefits

- With zero correction
- Optional overpressure and/or underpressure safety 10 x FSD
- Extremely low measuring ranges from 0/6 mbar
- GOSSTANDART-certified

Application

For gaseous, dry media which do not attack copper alloys.

! For measuring gas or vapour, observe the table "Selection Criteria as per EN 837-2" (see appendix)!

Technical specifications

Type

D4

Nominal size

100

Accuracy class (EN 837-3/6)

1,6

Ranges (EN 837-3/5)

See ordering table

Application area

Static load: Full scale value
Dynamic load: 0.9 x full scale value
Overload safety: 1.3 x full scale value

Operating temperature range

Medium: Max. 60 °C
Ambient: -20/+60 °C

Temperature performance

Indication error when the temperature of the measuring system deviates from the normal temperature of 20 °C:
at rising temperature approx. $\pm 0.6 \text{ \%}/10 \text{ K}$
falling temperature approx. $\pm 0.6 \text{ \%}/10 \text{ K}$
of full scale value

Degree of protection

NG 100: IP 54 (EN 60529)

Standard version

Connection

Brass, bottom

Measuring element

Capsule element, CuBe alloy

Movement

Brass

Zero correction

From the front

Seal

NBR (Perbunan)

Dial

Aluminium, white

Scaling black

Pointer

Aluminium, black

Housing

Stainless steel 304

Bayonet type bezel

Stainless steel 304

Window

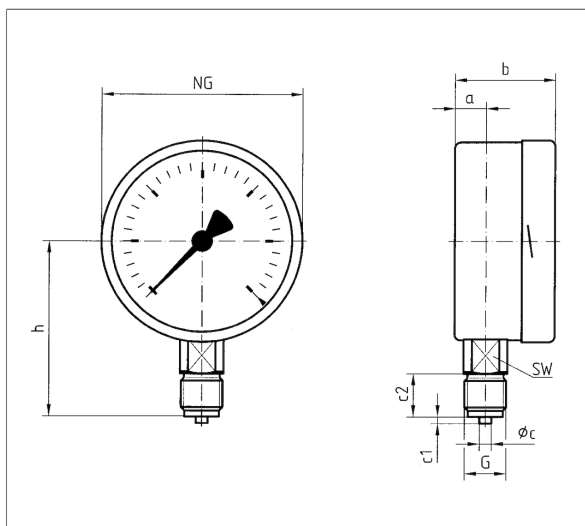
D401: Instrument glass

Options

- Overpressure and underpressure safety 10 x FSD
- Back flange
- Panel mounting bezel, with window, plastic
- 3-hole fixing, panel mounting bezel with window, plastic
- Damping screw
- Reference pointer
- Special scales
- Other process connections

Technical drawings

Bottom connection



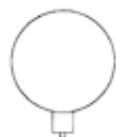
Dimensions (mm)

NG	a	b	∅c	c1	c2	G	h	SW
63	10,8	40	5	2	13	G $\frac{1}{4}$ B	53	14
100	15,6	49	6	3	20	G $\frac{1}{2}$ B	86	22
160	17,5	50	6	3	20	G $\frac{1}{2}$ B	116	22



Versions

KP100 D401



Housing ∅	Connection	Alignment	Housing	Accuracy class	Range	Type	Part no.
100 mm	G½B	Bottom	Stainless steel 304	1,6	0/40 mbar	KP100 D401	35117401
100 mm	G½B	Bottom	Stainless steel 304	1,6	0/60 mbar	KP100 D401	35118401
100 mm	G½B	Bottom	Stainless steel 304	1,6	0/100 mbar	KP100 D401	35119401
100 mm	G½B	Bottom	Stainless steel 304	1,6	0/160 mbar	KP100 D401	35120401
100 mm	G½B	Bottom	Stainless steel 304	1,6	0/250 mbar	KP100 D401	35121401
100 mm	G½B	Bottom	Stainless steel 304	1,6	0/400 mbar	KP100 D401	35122401

Blue part no. = in-stock items