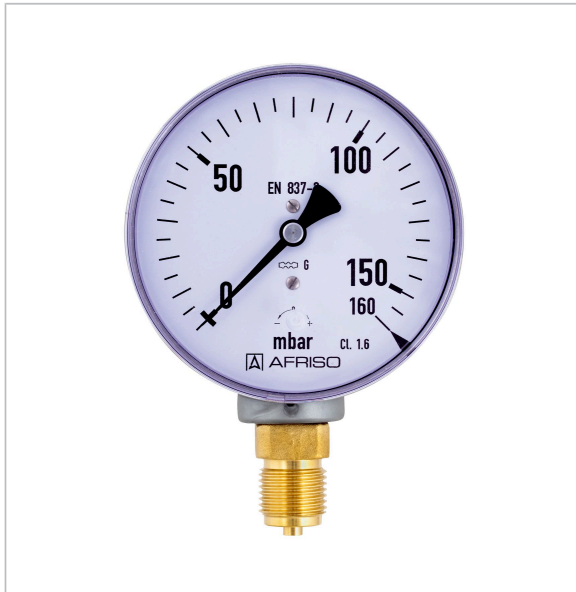




Standard capsule pressure gauges Type D3



Benefits

- With zero correction
- Ideal for low pressure ranges
- GOSSTANDART-certified

Application

For gaseous, dry media which do not attack copper alloys.

! For measuring gas or vapour, observe the table "Selection Criteria as per EN 837-2" (see appendix)!

Technical specifications

Type

D3

Nominal size

63 – 80 – 100

Accuracy class (EN 837-3/6)

1,6

Ranges (EN 837-3/5)

See ordering table

Application area

Static load:	Full scale value
Dynamic load:	0.9 x full scale value
Overload safety:	1.3 x full scale value

Operating temperature range

Medium: Max. 60 °C

Ambient: -20/+60 °C

Temperature performance

Indication error when the temperature of the measuring system deviates from the normal temperature of 20 °C:

at rising temperature approx. $\pm 0.6 \%$ /10 K

falling temperature approx. $\pm 0.6 \%$ /10 K

of full scale value

Degree of protection

NG 63: IP 33 (EN 60529)

NG 80: IP 33 (EN 60529)

NG 100: IP 44 (EN 60529)



Standard version

Connection

Brass, bottom or centre back

Measuring element

Capsule element, CuBe alloy

Movement

Brass

Zero correction

From the front

Seal

NBR (Perbunan)

Dial

Aluminium, white

Scaling black

Pointer

Aluminium, black

Housing

Stainless steel 304

Window

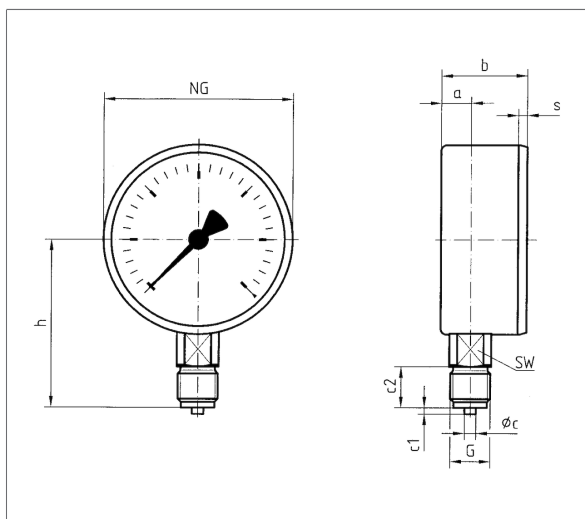
Plastic, clipped in

Options

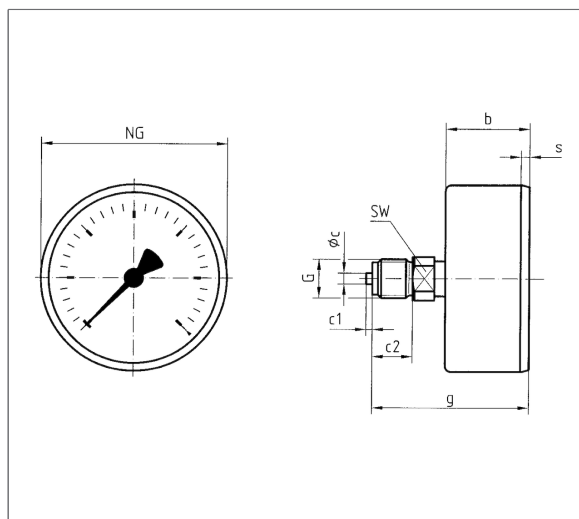
- Back flange
- Panel mounting bezel
- 3-hole fixing, panel mounting bezel
- Measuring system stainless steel (NG 100)
- Damping screw
- Reference pointer
- Special scales
- Other process connections

Technical drawings

Bottom connection

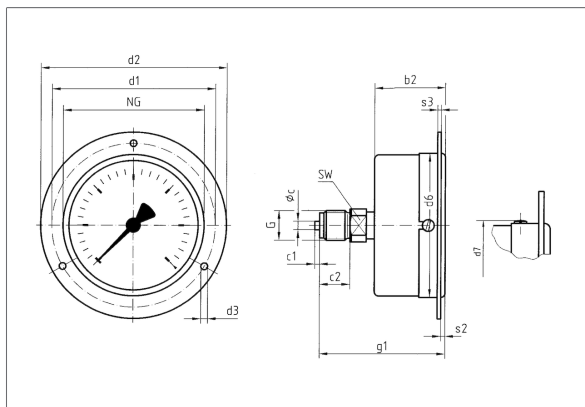


Centre back connection

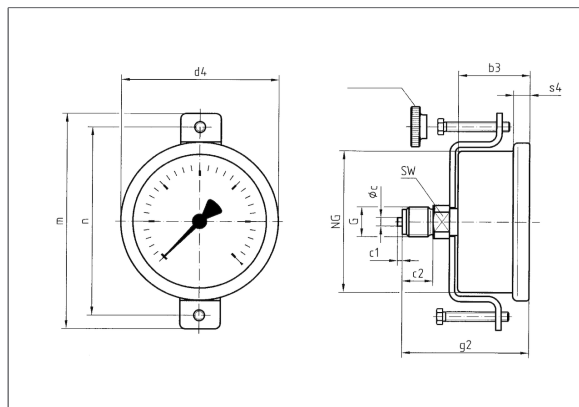




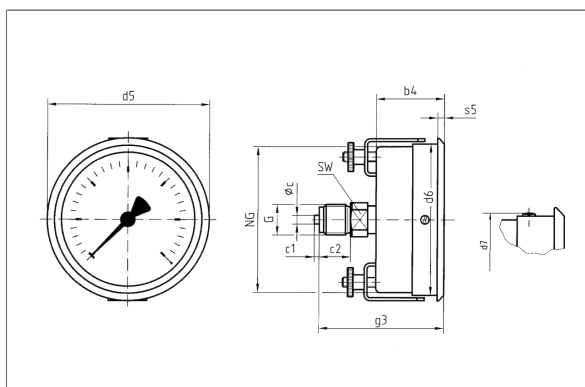
Centre back connection, 3-hole fixing, panel mounting bezel



centre back connection, crimped bezel housing with clamp fixing, NG 63



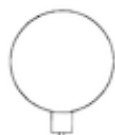
Centre back connection, panel mounting bezel with clamp fixing, NG 80/100



Versions

KP63 D301

Housing ϕ	Connection	Alignment	Housing	Accuracy class	Range	Type	Part no.
63 mm	G $\frac{1}{4}$ B	Bottom	Stainless steel 304	1,6	-25/0 mbar	KP63 D301	35004301
63 mm	G $\frac{1}{4}$ B	Bottom	Stainless steel 304	1,6	-40/0 mbar	KP63 D301	35005301
63 mm	G $\frac{1}{4}$ B	Bottom	Stainless steel 304	1,6	-60/0 mbar	KP63 D301	35006301
63 mm	G $\frac{1}{4}$ B	Bottom	Stainless steel 304	1,6	-100/0 mbar	KP63 D301	35007301
63 mm	G $\frac{1}{4}$ B	Bottom	Stainless steel 304	1,6	-160/0 mbar	KP63 D301	35008301
63 mm	G $\frac{1}{4}$ B	Bottom	Stainless steel 304	1,6	-250/0 mbar	KP63 D301	35009301
63 mm	G $\frac{1}{4}$ B	Bottom	Stainless steel 304	1,6	-400/0 mbar	KP63 D301	35010301
63 mm	G $\frac{1}{4}$ B	Bottom	Stainless steel 304	1,6	-600/0 mbar	KP63 D301	35011301
63 mm	G $\frac{1}{4}$ B	Bottom	Stainless steel 304	1,6	-1,000/0 mbar	KP63 D301	35012301
63 mm	G $\frac{1}{4}$ B	Bottom	Stainless steel 304	1,6	0/25 mbar	KP63 D301	35016301



Blue part no. = in-stock items



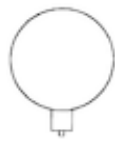
Housing [⊙]	Connection	Alignment	Housing	Accuracy class	Range	Type	Part no.
63 mm	G¼B	Bottom	Stainless steel 304	1,6	0/40 mbar	KP63 D301	35017301
63 mm	G¼B	Bottom	Stainless steel 304	1,6	0/60 mbar	KP63 D301	35018301
63 mm	G¼B	Bottom	Stainless steel 304	1,6	0/100 mbar	KP63 D301	35019301
63 mm	G¼B	Bottom	Stainless steel 304	1,6	0/160 mbar	KP63 D301	35020301
63 mm	G¼B	Bottom	Stainless steel 304	1,6	0/250 mbar	KP63 D301	35021301
63 mm	G¼B	Bottom	Stainless steel 304	1,6	0/400 mbar	KP63 D301	35022301
63 mm	G¼B	Bottom	Stainless steel 304	1,6	0/600 mbar	KP63 D301	35023301
63 mm	G¼B	Bottom	Stainless steel 304	1,6	0/1,000 mbar	KP63 D301	35024301

Blue part no. = in-stock items

KP80 D301

Housing [⊙]	Connection	Alignment	Housing	Accuracy class	Range	Type	Part no.
80 mm	G½B	Bottom	Stainless steel 304	1,6	-25/0 mbar	KP80 D301	35054301
80 mm	G½B	Bottom	Stainless steel 304	1,6	-40/0 mbar	KP80 D301	35055301
80 mm	G½B	Bottom	Stainless steel 304	1,6	-60/0 mbar	KP80 D301	35056301
80 mm	G½B	Bottom	Stainless steel 304	1,6	-100/0 mbar	KP80 D301	35057301
80 mm	G½B	Bottom	Stainless steel 304	1,6	-160/0 mbar	KP80 D301	35058301
80 mm	G½B	Bottom	Stainless steel 304	1,6	-250/0 mbar	KP80 D301	35059301
80 mm	G½B	Bottom	Stainless steel 304	1,6	-400/0 mbar	KP80 D301	35060301
80 mm	G½B	Bottom	Stainless steel 304	1,6	-600/0 mbar	KP80 D301	35061301
80 mm	G½B	Bottom	Stainless steel 304	1,6	-1,000/0 mbar	KP80 D301	35062301
80 mm	G½B	Bottom	Stainless steel 304	1,6	0/25 mbar	KP80 D301	35066301
80 mm	G½B	Bottom	Stainless steel 304	1,6	0/40 mbar	KP80 D301	35067301
80 mm	G½B	Bottom	Stainless steel 304	1,6	0/60 mbar	KP80 D301	35068301
80 mm	G½B	Bottom	Stainless steel 304	1,6	0/100 mbar	KP80 D301	35069301
80 mm	G½B	Bottom	Stainless steel 304	1,6	0/160 mbar	KP80 D301	35070301
80 mm	G½B	Bottom	Stainless steel 304	1,6	0/250 mbar	KP80 D301	35071301
80 mm	G½B	Bottom	Stainless steel 304	1,6	0/400 mbar	KP80 D301	35072301
80 mm	G½B	Bottom	Stainless steel 304	1,6	0/600 mbar	KP80 D301	35073301
80 mm	G½B	Bottom	Stainless steel 304	1,6	0/1,000 mbar	KP80 D301	35074301

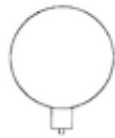
Blue part no. = in-stock items





KP100 D301

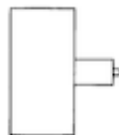
Housing \varnothing	Connection	Alignment	Housing	Accuracy class	Range	Type	Part no.
100 mm	G½B	Bottom	Stainless steel 304	1,6	-25/0 mbar	KP100 D301	35104301
100 mm	G½B	Bottom	Stainless steel 304	1,6	-40/0 mbar	KP100 D301	35105301
100 mm	G½B	Bottom	Stainless steel 304	1,6	-60/0 mbar	KP100 D301	35106301
100 mm	G½B	Bottom	Stainless steel 304	1,6	-100/0 mbar	KP100 D301	35107301
100 mm	G½B	Bottom	Stainless steel 304	1,6	-160/0 mbar	KP100 D301	35108301
100 mm	G½B	Bottom	Stainless steel 304	1,6	-250/0 mbar	KP100 D301	35109301
100 mm	G½B	Bottom	Stainless steel 304	1,6	-400/0 mbar	KP100 D301	35110301
100 mm	G½B	Bottom	Stainless steel 304	1,6	-600/0 mbar	KP100 D301	35111301
100 mm	G½B	Bottom	Stainless steel 304	1,6	-1,000/0 mbar	KP100 D301	35112301
100 mm	G½B	Bottom	Stainless steel 304	1,6	0/25 mbar	KP100 D301	35116301
100 mm	G½B	Bottom	Stainless steel 304	1,6	0/40 mbar	KP100 D301	35117301
100 mm	G½B	Bottom	Stainless steel 304	1,6	0/60 mbar	KP100 D301	35118301
100 mm	G½B	Bottom	Stainless steel 304	1,6	0/100 mbar	KP100 D301	35119301
100 mm	G½B	Bottom	Stainless steel 304	1,6	0/160 mbar	KP100 D301	35120301
100 mm	G½B	Bottom	Stainless steel 304	1,6	0/250 mbar	KP100 D301	35121301
100 mm	G½B	Bottom	Stainless steel 304	1,6	0/400 mbar	KP100 D301	35122301
100 mm	G½B	Bottom	Stainless steel 304	1,6	0/600 mbar	KP100 D301	35123301
100 mm	G½B	Bottom	Stainless steel 304	1,6	0/1,000 mbar	KP100 D301	35124301



Blue part no. = in-stock items

KP63 D311

Housing \varnothing	Connection	Alignment	Housing	Accuracy class	Range	Type	Part no.
63 mm	G¼B	Centre back	Stainless steel 304	1,6	-25/0 mbar	KP63 D311	35004311
63 mm	G¼B	Centre back	Stainless steel 304	1,6	-40/0 mbar	KP63 D311	35005311
63 mm	G¼B	Centre back	Stainless steel 304	1,6	-60/0 mbar	KP63 D311	35006311
63 mm	G¼B	Centre back	Stainless steel 304	1,6	-100/0 mbar	KP63 D311	35007311
63 mm	G¼B	Centre back	Stainless steel 304	1,6	-160/0 mbar	KP63 D311	35008311
63 mm	G¼B	Centre back	Stainless steel 304	1,6	-250/0 mbar	KP63 D311	35009311
63 mm	G¼B	Centre back	Stainless steel 304	1,6	-400/0 mbar	KP63 D311	35010311



Blue part no. = in-stock items



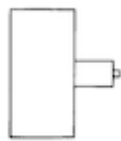
Housing ^ø	Connection	Alignment	Housing	Accuracy class	Range	Type	Part no.
63 mm	G¼B	Centre back	Stainless steel 304	1,6	-600/0 mbar	KP63 D311	35011311
63 mm	G¼B	Centre back	Stainless steel 304	1,6	-1,000/0 mbar	KP63 D311	35012311
63 mm	G¼B	Centre back	Stainless steel 304	1,6	0/25 mbar	KP63 D311	35016311
63 mm	G¼B	Centre back	Stainless steel 304	1,6	0/40 mbar	KP63 D311	35017311
63 mm	G¼B	Centre back	Stainless steel 304	1,6	0/60 mbar	KP63 D311	35018311
63 mm	G¼B	Centre back	Stainless steel 304	1,6	0/100 mbar	KP63 D311	35019311
63 mm	G¼B	Centre back	Stainless steel 304	1,6	0/160 mbar	KP63 D311	35020311
63 mm	G¼B	Centre back	Stainless steel 304	1,6	0/250 mbar	KP63 D311	35021311
63 mm	G¼B	Centre back	Stainless steel 304	1,6	0/400 mbar	KP63 D311	35022311
63 mm	G¼B	Centre back	Stainless steel 304	1,6	0/600 mbar	KP63 D311	35023311
63 mm	G¼B	Centre back	Stainless steel 304	1,6	0/1,000 mbar	KP63 D311	35024311

Blue part no. = in-stock items

KP80 D311

Housing ^ø	Connection	Alignment	Housing	Accuracy class	Range	Type	Part no.
80 mm	G½B	Centre back	Stainless steel 304	1,6	-25/0 mbar	KP80 D311	35054311
80 mm	G½B	Centre back	Stainless steel 304	1,6	-40/0 mbar	KP80 D311	35055311
80 mm	G½B	Centre back	Stainless steel 304	1,6	-60/0 mbar	KP80 D311	35056311
80 mm	G½B	Centre back	Stainless steel 304	1,6	-100/0 mbar	KP80 D311	35057311
80 mm	G½B	Centre back	Stainless steel 304	1,6	-160/0 mbar	KP80 D311	35058311
80 mm	G½B	Centre back	Stainless steel 304	1,6	-250/0 mbar	KP80 D311	35059311
80 mm	G½B	Centre back	Stainless steel 304	1,6	-400/0 mbar	KP80 D311	35060311
80 mm	G½B	Centre back	Stainless steel 304	1,6	-600/0 mbar	KP80 D311	35061311
80 mm	G½B	Centre back	Stainless steel 304	1,6	-1,000/0 mbar	KP80 D311	35062311
80 mm	G½B	Centre back	Stainless steel 304	1,6	0/25 mbar	KP80 D311	35066311
80 mm	G½B	Centre back	Stainless steel 304	1,6	0/40 mbar	KP80 D311	35067311
80 mm	G½B	Centre back	Stainless steel 304	1,6	0/60 mbar	KP80 D311	35068311
80 mm	G½B	Centre back	Stainless steel 304	1,6	0/100 mbar	KP80 D311	35069311
80 mm	G½B	Centre back	Stainless steel 304	1,6	0/160 mbar	KP80 D311	35070311
80 mm	G½B	Centre back	Stainless steel 304	1,6	0/250 mbar	KP80 D311	35071311

Blue part no. = in-stock items





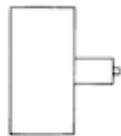
Housing [⊗]	Connection	Alignment	Housing	Accuracy class	Range	Type	Part no.
80 mm	G½B	Centre back	Stainless steel 304	1,6	0/400 mbar	KP80 D311	35072311
80 mm	G½B	Centre back	Stainless steel 304	1,6	0/600 mbar	KP80 D311	35073311
80 mm	G½B	Centre back	Stainless steel 304	1,6	0/1,000 mbar	KP80 D311	35074311

Blue part no. = in-stock items

KP100 D311

Housing [⊗]	Connection	Alignment	Housing	Accuracy class	Range	Type	Part no.
100 mm	G½B	Centre back	Stainless steel 304	1,6	-25/0 mbar	KP100 D311	35104311
100 mm	G½B	Centre back	Stainless steel 304	1,6	-40/0 mbar	KP100 D311	35105311
100 mm	G½B	Centre back	Stainless steel 304	1,6	-60/0 mbar	KP100 D311	35106311
100 mm	G½B	Centre back	Stainless steel 304	1,6	-100/0 mbar	KP100 D311	35107311
100 mm	G½B	Centre back	Stainless steel 304	1,6	-160/0 mbar	KP100 D311	35108311
100 mm	G½B	Centre back	Stainless steel 304	1,6	-250/0 mbar	KP100 D311	35109311
100 mm	G½B	Centre back	Stainless steel 304	1,6	-400/0 mbar	KP100 D311	35110311
100 mm	G½B	Centre back	Stainless steel 304	1,6	-600/0 mbar	KP100 D311	35111311
100 mm	G½B	Centre back	Stainless steel 304	1,6	-1,000/0 mbar	KP100 D311	35112311
100 mm	G½B	Centre back	Stainless steel 304	1,6	0/25 mbar	KP100 D311	35116311
100 mm	G½B	Centre back	Stainless steel 304	1,6	0/40 mbar	KP100 D311	35117311
100 mm	G½B	Centre back	Stainless steel 304	1,6	0/60 mbar	KP100 D311	35118311
100 mm	G½B	Centre back	Stainless steel 304	1,6	0/100 mbar	KP100 D311	35119311
100 mm	G½B	Centre back	Stainless steel 304	1,6	0/160 mbar	KP100 D311	35120311
100 mm	G½B	Centre back	Stainless steel 304	1,6	0/250 mbar	KP100 D311	35121311
100 mm	G½B	Centre back	Stainless steel 304	1,6	0/400 mbar	KP100 D311	35122311
100 mm	G½B	Centre back	Stainless steel 304	1,6	0/600 mbar	KP100 D311	35123311
100 mm	G½B	Centre back	Stainless steel 304	1,6	0/1,000 mbar	KP100 D311	35124311

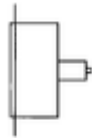
Blue part no. = in-stock items





KP63 D331

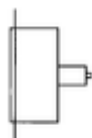
Housing \varnothing	Connection	Alignment	Housing	Accuracy class	Range	Type	Part no.
63 mm	G $\frac{1}{4}$ B	Centre back	Stainless steel 304	1,6	-25/0 mbar	KP63 D331	35004331
63 mm	G $\frac{1}{4}$ B	Centre back	Stainless steel 304	1,6	-40/0 mbar	KP63 D331	35005331
63 mm	G $\frac{1}{4}$ B	Centre back	Stainless steel 304	1,6	-60/0 mbar	KP63 D331	35006331
63 mm	G $\frac{1}{4}$ B	Centre back	Stainless steel 304	1,6	-100/0 mbar	KP63 D331	35007331
63 mm	G $\frac{1}{4}$ B	Centre back	Stainless steel 304	1,6	-160/0 mbar	KP63 D331	35008331
63 mm	G $\frac{1}{4}$ B	Centre back	Stainless steel 304	1,6	-250/0 mbar	KP63 D331	35009331
63 mm	G $\frac{1}{4}$ B	Centre back	Stainless steel 304	1,6	-400/0 mbar	KP63 D331	35010331
63 mm	G $\frac{1}{4}$ B	Centre back	Stainless steel 304	1,6	-600/0 mbar	KP63 D331	35011331
63 mm	G $\frac{1}{4}$ B	Centre back	Stainless steel 304	1,6	-1,000/0 mbar	KP63 D331	35012331
63 mm	G $\frac{1}{4}$ B	Centre back	Stainless steel 304	1,6	0/25 mbar	KP63 D331	35016331
63 mm	G $\frac{1}{4}$ B	Centre back	Stainless steel 304	1,6	0/40 mbar	KP63 D331	35017331
63 mm	G $\frac{1}{4}$ B	Centre back	Stainless steel 304	1,6	0/60 mbar	KP63 D331	35018331
63 mm	G $\frac{1}{4}$ B	Centre back	Stainless steel 304	1,6	0/100 mbar	KP63 D331	35019331
63 mm	G $\frac{1}{4}$ B	Centre back	Stainless steel 304	1,6	0/160 mbar	KP63 D331	35020331
63 mm	G $\frac{1}{4}$ B	Centre back	Stainless steel 304	1,6	0/250 mbar	KP63 D331	35021331
63 mm	G $\frac{1}{4}$ B	Centre back	Stainless steel 304	1,6	0/400 mbar	KP63 D331	35022331
63 mm	G $\frac{1}{4}$ B	Centre back	Stainless steel 304	1,6	0/600 mbar	KP63 D331	35023331
63 mm	G $\frac{1}{4}$ B	Centre back	Stainless steel 304	1,6	0/1,000 mbar	KP63 D331	35024331



Blue part no. = in-stock items

KP80 D331

Housing \varnothing	Connection	Alignment	Housing	Accuracy class	Range	Type	Part no.
80 mm	G $\frac{1}{2}$ B	Centre back	Stainless steel 304	1,6	-25/0 mbar	KP80 D331	35054331
80 mm	G $\frac{1}{2}$ B	Centre back	Stainless steel 304	1,6	-40/0 mbar	KP80 D331	35055331
80 mm	G $\frac{1}{2}$ B	Centre back	Stainless steel 304	1,6	-60/0 mbar	KP80 D331	35056331
80 mm	G $\frac{1}{2}$ B	Centre back	Stainless steel 304	1,6	-100/0 mbar	KP80 D331	35057331
80 mm	G $\frac{1}{2}$ B	Centre back	Stainless steel 304	1,6	-160/0 mbar	KP80 D331	35058331
80 mm	G $\frac{1}{2}$ B	Centre back	Stainless steel 304	1,6	-250/0 mbar	KP80 D331	35059331
80 mm	G $\frac{1}{2}$ B	Centre back	Stainless steel 304	1,6	-400/0 mbar	KP80 D331	35060331



Blue part no. = in-stock items



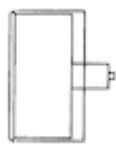
Housing \varnothing	Connection	Alignment	Housing	Accuracy class	Range	Type	Part no.
80 mm	G½B	Centre back	Stainless steel 304	1,6	-600/0 mbar	KP80 D331	35061331
80 mm	G½B	Centre back	Stainless steel 304	1,6	-1,000/0 mbar	KP80 D331	35062331
80 mm	G½B	Centre back	Stainless steel 304	1,6	0/25 mbar	KP80 D331	35066331
80 mm	G½B	Centre back	Stainless steel 304	1,6	0/40 mbar	KP80 D331	35067331
80 mm	G½B	Centre back	Stainless steel 304	1,6	0/60 mbar	KP80 D331	35068331
80 mm	G½B	Centre back	Stainless steel 304	1,6	0/100 mbar	KP80 D331	35069331
80 mm	G½B	Centre back	Stainless steel 304	1,6	0/160 mbar	KP80 D331	35070331
80 mm	G½B	Centre back	Stainless steel 304	1,6	0/250 mbar	KP80 D331	35071331
80 mm	G½B	Centre back	Stainless steel 304	1,6	0/400 mbar	KP80 D331	35072331
80 mm	G½B	Centre back	Stainless steel 304	1,6	0/600 mbar	KP80 D331	35073331
80 mm	G½B	Centre back	Stainless steel 304	1,6	0/1,000 mbar	KP80 D331	35074331

Blue part no. = in-stock items

KP63 D351

Housing \varnothing	Connection	Alignment	Housing	Accuracy class	Range	Type	Part no.
63 mm	G¼B	Centre back	Stainless steel 304	1,6	-25/0 mbar	KP63 D351	35004351
63 mm	G¼B	Centre back	Stainless steel 304	1,6	-40/0 mbar	KP63 D351	35005351
63 mm	G¼B	Centre back	Stainless steel 304	1,6	-60/0 mbar	KP63 D351	35006351
63 mm	G¼B	Centre back	Stainless steel 304	1,6	-100/0 mbar	KP63 D351	35007351
63 mm	G¼B	Centre back	Stainless steel 304	1,6	-160/0 mbar	KP63 D351	35008351
63 mm	G¼B	Centre back	Stainless steel 304	1,6	-250/0 mbar	KP63 D351	35009351
63 mm	G¼B	Centre back	Stainless steel 304	1,6	-400/0 mbar	KP63 D351	35010351
63 mm	G¼B	Centre back	Stainless steel 304	1,6	-600/0 mbar	KP63 D351	35011351
63 mm	G¼B	Centre back	Stainless steel 304	1,6	-1,000/0 mbar	KP63 D351	35012351
63 mm	G¼B	Centre back	Stainless steel 304	1,6	0/25 mbar	KP63 D351	35016351
63 mm	G¼B	Centre back	Stainless steel 304	1,6	0/40 mbar	KP63 D351	35017351
63 mm	G¼B	Centre back	Stainless steel 304	1,6	0/60 mbar	KP63 D351	35018351
63 mm	G¼B	Centre back	Stainless steel 304	1,6	0/100 mbar	KP63 D351	35019351
63 mm	G¼B	Centre back	Stainless steel 304	1,6	0/160 mbar	KP63 D351	35020351
63 mm	G¼B	Centre back	Stainless steel 304	1,6	0/250 mbar	KP63 D351	35021351

Blue part no. = in-stock items





Housing [⊗]	Connection	Alignment	Housing	Accuracy class	Range	Type	Part no.
63 mm	G¼B	Centre back	Stainless steel 304	1,6	0/400 mbar	KP63 D351	35022351
63 mm	G¼B	Centre back	Stainless steel 304	1,6	0/600 mbar	KP63 D351	35023351
63 mm	G¼B	Centre back	Stainless steel 304	1,6	0/1,000 mbar	KP63 D351	35024351

Blue part no. = in-stock items

KP80 D351

Housing [⊗]	Connection	Alignment	Housing	Accuracy class	Range	Type	Part no.
80 mm	G½B	Centre back	Stainless steel 304	1,6	-25/0 mbar	KP80 D351	35054351
80 mm	G½B	Centre back	Stainless steel 304	1,6	-40/0 mbar	KP80 D351	35055351
80 mm	G½B	Centre back	Stainless steel 304	1,6	-60/0 mbar	KP80 D351	35056351
80 mm	G½B	Centre back	Stainless steel 304	1,6	-100/0 mbar	KP80 D351	35057351
80 mm	G½B	Centre back	Stainless steel 304	1,6	-160/0 mbar	KP80 D351	35058351
80 mm	G½B	Centre back	Stainless steel 304	1,6	-250/0 mbar	KP80 D351	35059351
80 mm	G½B	Centre back	Stainless steel 304	1,6	-400/0 mbar	KP80 D351	35060351
80 mm	G½B	Centre back	Stainless steel 304	1,6	-600/0 mbar	KP80 D351	35061351
80 mm	G½B	Centre back	Stainless steel 304	1,6	-1,000/0 mbar	KP80 D351	35062351
80 mm	G½B	Centre back	Stainless steel 304	1,6	0/25 mbar	KP80 D351	35066351
80 mm	G½B	Centre back	Stainless steel 304	1,6	0/40 mbar	KP80 D351	35067351
80 mm	G½B	Centre back	Stainless steel 304	1,6	0/60 mbar	KP80 D351	35068351
80 mm	G½B	Centre back	Stainless steel 304	1,6	0/100 mbar	KP80 D351	35069351
80 mm	G½B	Centre back	Stainless steel 304	1,6	0/160 mbar	KP80 D351	35070351
80 mm	G½B	Centre back	Stainless steel 304	1,6	0/250 mbar	KP80 D351	35071351
80 mm	G½B	Centre back	Stainless steel 304	1,6	0/400 mbar	KP80 D351	35072351
80 mm	G½B	Centre back	Stainless steel 304	1,6	0/600 mbar	KP80 D351	35073351
80 mm	G½B	Centre back	Stainless steel 304	1,6	0/1,000 mbar	KP80 D351	35074351

Blue part no. = in-stock items

