



## Room thermostats TA 03 for controller terminal bar WB 01/WB 10 D



### Benefits

- Mechanical temperature controllers with lamp and on/off switch
- For room temperature control
- Switch-off function for the summer months
- Easy surface mounting
- Universal use, also for standard controllers

### Application

Mechanical room thermostats for domestic applications. On-wall wall mounting allows for retrofitting.

### Versions

	Part no.
Room thermostat TA 03	42616X
Room thermostat TA 03 with lamp	42617X
Room thermostat TA 03 with lamp and on/off switch	42618X
Room thermostat TA 03 with lamp and summer/winter	42619X

Blue part no. = in-stock items

### Description

The temperature measured at the probe causes a change in the volume of the measuring liquid. Electrical switching is triggered by the force acting. For optimum temperature control, the room thermostat should be installed at an inside wall opposing radiators. Install the room thermostat away from heat source of all kinds and from draft and do not expose it to sunlight. The best installation height is approx. 1.5 m above the floor.

## Technical specifications

### Operating temperature range

Ambient: 0/50 °C

Storage: 0/50 °C

### Temperature adjustment range

7/30 °C

### Switching differential

$\Delta T \leq 1 \text{ K}$

### Temperature change rate

1 K/15 minutes

### Setting

Adjustable from the outside

### Probe element

Liquid-filled

### Housing

Wall mounting plastic housing (PVC)

Colour: White (RAL 9016)

W x H x D: 80 x 80 x 44 mm

Weight: 134 g

Degree of protection: IP 20 (EN 60529)

### Electrical switching contact

Changeover contact

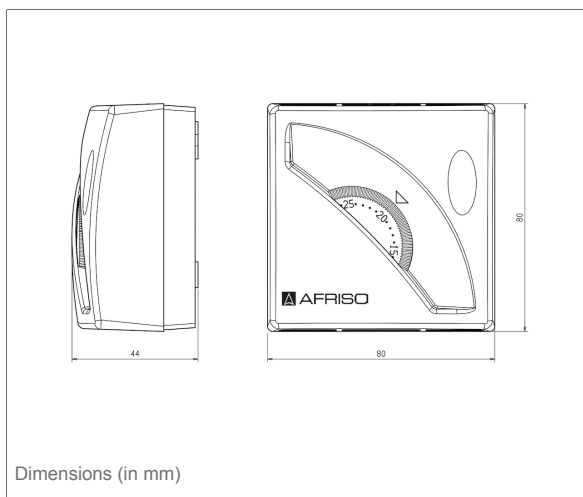
### Contact rating

NC: AC 250 V, 16 (2.5) A

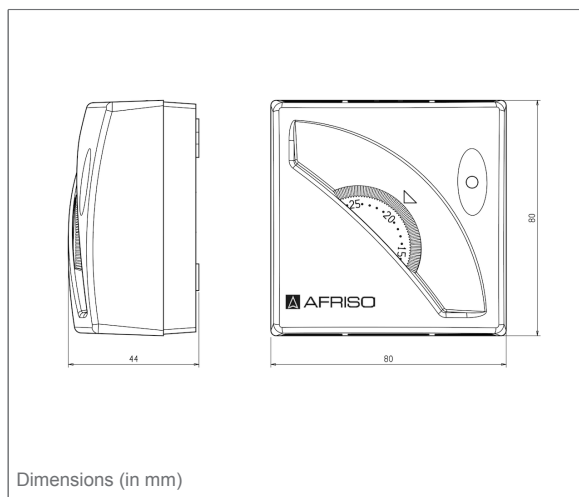
NO: AC 250 V, 16 (2.5) A

## Technical drawings

TA 03



TA 03 without switch, with lamp



TA 03 with switch, with lamp

