

Dynamic thermostat valve bodies Vario-DP



Benefits



- Automatic control of water volume
- Fast hydraulic balancing without calculation of pipe system and measuring instrument
- High reserve due to adjustment range up to 290 l/h
- Patented, simple valve insert provides protection against pollution

Application

Suitable for small to large water volumes. For installation in dual-pipe heating systems. The dynamic valve range Vario-DP makes hydraulic balancing in single and two family homes an easy and fast job.




Versions

Vario-DP

	Version	Nominal diameter	Connection	Part no.
	Straight	DN 10	Rp $\frac{3}{8}$ x R $\frac{3}{8}$	161 060.100
	Straight	DN 15	Rp $\frac{1}{2}$ x R $\frac{1}{2}$	161 070.100
	Straight	DN 20	Rp $\frac{3}{4}$ x R $\frac{3}{4}$	161 080.100
	Angled	DN 10	Rp $\frac{3}{8}$ x R $\frac{3}{8}$	161 010.100
	Angled	DN 15	Rp $\frac{1}{2}$ x R $\frac{1}{2}$	161 020.100
	Angled	DN 20	Rp $\frac{3}{4}$ x R $\frac{3}{4}$	161 030.100

Blue part no. = in-stock items



Version	Nominal diameter	Connection	Part no.
 Centre back	DN 15	Rp $\frac{3}{8}$ x R $\frac{3}{8}$	163 020.100
 Angled-angled, right	DN 15	Rp $\frac{1}{2}$ x R $\frac{1}{2}$	165 020.100
 Angled-angled, left	DN 15	Rp $\frac{1}{2}$ x R $\frac{1}{2}$	167 020.100

Blue part no. = in-stock items

Description

Low-noise thermostat valve body with threaded connection M30 x 1.5 mm for thermostat control heads and actuators. Mounting cap with valve shut-off function. Adjustment range 20 to 340 l/h, fully adjustable with standard radiator bleed screw key. Pre-adjustment directly readable without scale.

The patented valve insert with automatic flow limiter automatically limits the water volume adjusted at the valves, independent of pressure variation in the heating system. This means that Vario-DP always supplies the right water volume to the radiator, regardless of the number of open or closed thermostat valves in the system. The valve insert can be replaced with the MGV mounting unit at operating pressure without the system having to be drained.

Technical specifications

System connection

See ordering table

Thermostat head/actuator connection

Threaded connection M 30 x 1.5 mm

Adjustment range

20 – 340 l/h

Nominal pressure

Max. 10 bar

Differential pressure (Δp)

15/70 kPa

Nominal diameter

DN 10, DN 15, DN 20

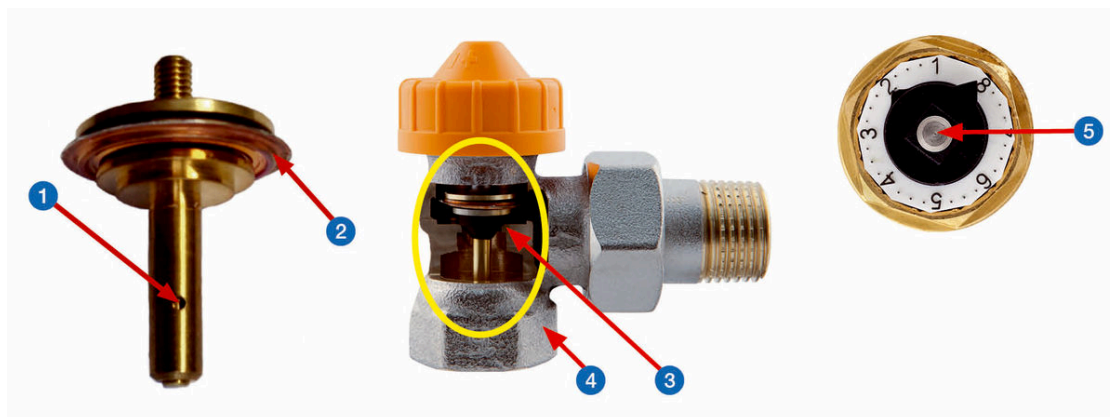
Operating temperature range

Medium: Max. 90 °C

Housing

Gunmetal, nickel-plated

Detail views



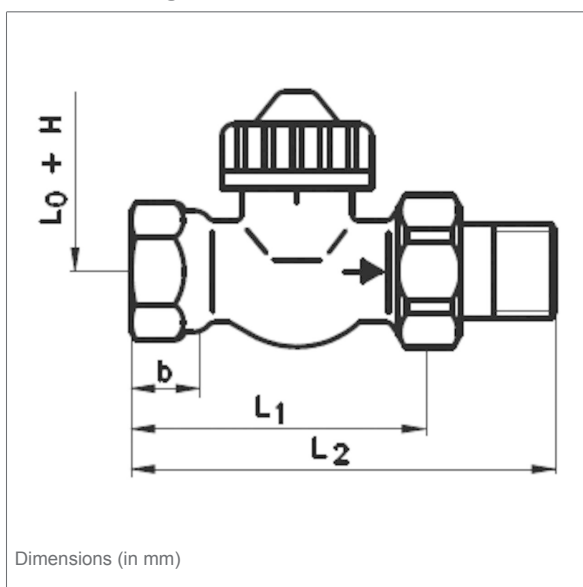
Patented valve insert with dynamic flow limiter.

Since the control membrane is installed directly in the valve insert and since the valve spindle is used as the pressure sensor, there are no additional control components which might be subject to pollution. The valve operates with a standard valve gasket and does not require additional dirt filters.

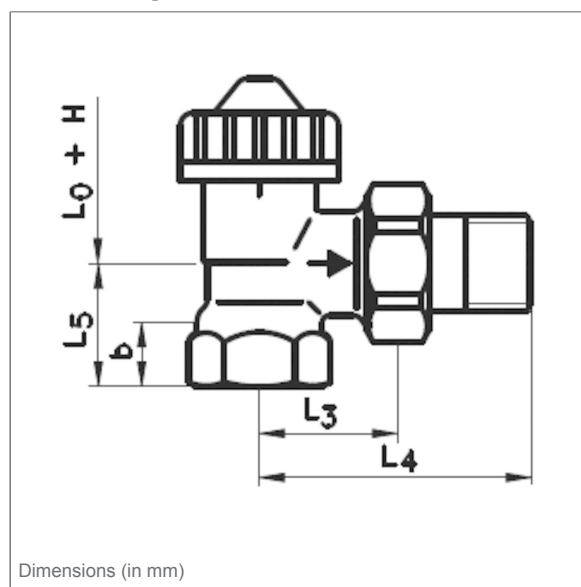
1. P1 = pressure inlet
2. Membrane expands at increasing differential pressure
3. Vario-DP: Dynamic valve insert
4. Dimensions valve housing as per EN 215
5. Fully adjustable with standard radiator bleed screw key

Technical drawings

Vario-DP – straight

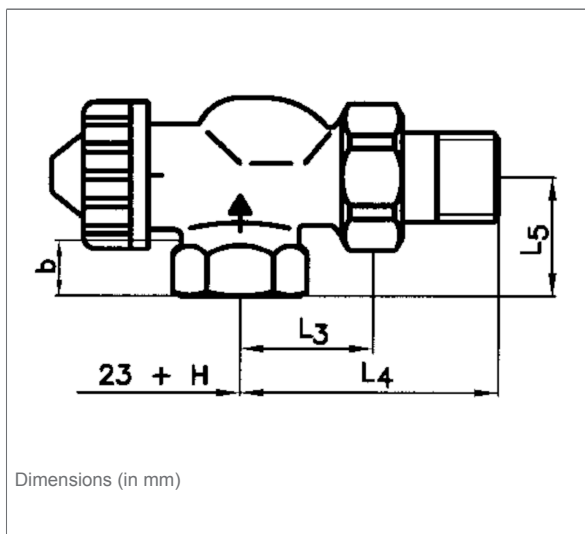


Vario-DP – angled

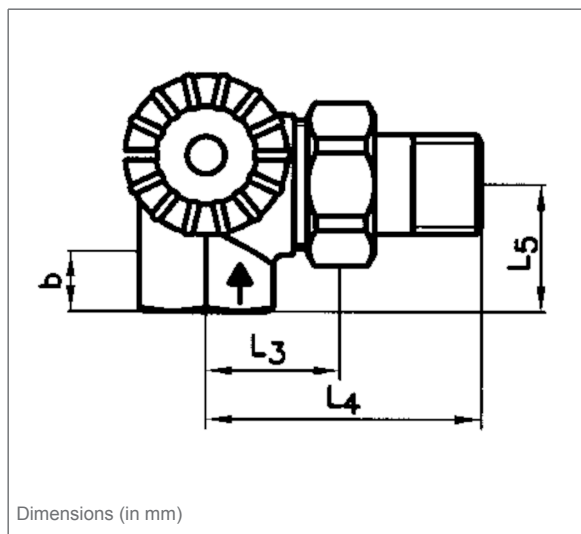




Vario-DP – axial



Vario-DP – angled-angled, right



Vario-DP – angled-angled, left

