



Bourdon tube pressure gauges for industrial applications Type D2



Benefits

- For machine and plant engineering
- Robust steel housing
- Many customised versions available

Application

For gaseous and liquid media which are not highly viscous, do not crystallise and do not attack copper alloys.

! For high measuring accuracy. For measuring gas or vapour, observe the table "Selection Criteria as per EN 837-2" (see appendix)!

Technical specifications

Type

D2

Nominal size

100

Accuracy class (EN 837-1/6)

1,0

Ranges (EN 837-1/5)

See ordering table

Application area

Static load

≤ 600 bar: Full scale value
> 600 bar: ¾ x full scale value

Dynamic load

≤ 600 bar: 0.9 x full scale value
> 600 bar: ¾ x full scale value

Short-term

≤ 600 bar: 1.3 x full scale value
> 600 bar: Full scale value

Operating temperature range

Medium: Max. 60 °C

Ambient: -20/+60 °C

Temperature performance

Indication error when the temperature of the measuring system deviates from the normal temperature of 20 °C:

at rising temperature approx. ± 0.4 %/10 K

falling temperature approx. ± 0.4 %/10 K

of full scale value

Degree of protection

IP 32 (EN 60529)



Standard version

Connection

Brass, bottom or bottom back

Measuring element

Bourdon tube

≤ 60 bar: "C" type tube, Copper alloy

> 60 bar: Helical tube, stainless steel 316 Ti/316 L

Movement

Brass

Dial

Aluminium, white

Scaling black

Pointer

Aluminium, black

Housing

Sheet steel, black

Window

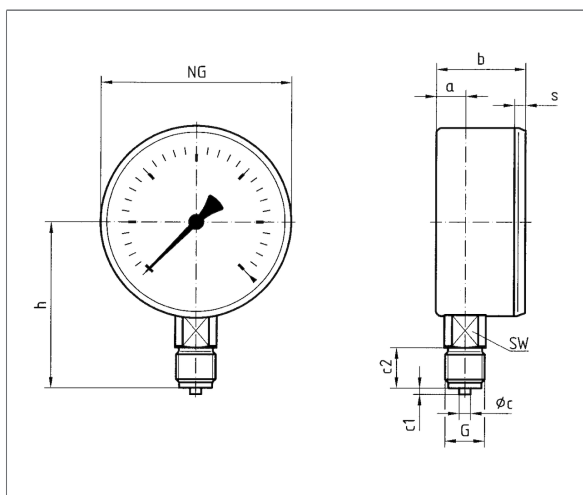
Plastic, clipped in

Options

- Damping screw
- Reference pointer
- Electrical contacts
- Special scales
- Other process connections

Technical drawings

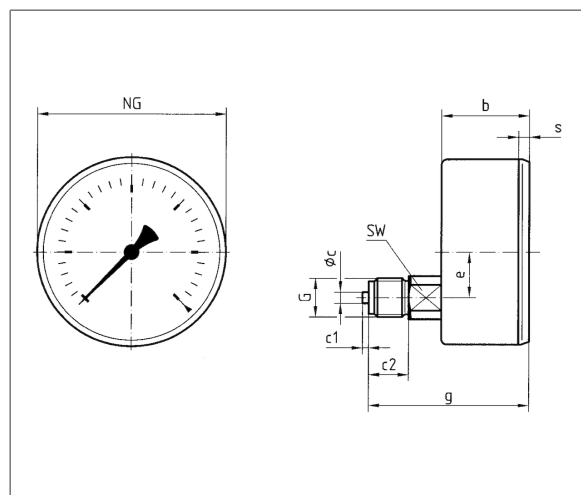
Bottom connection



Dimensions (mm)

NG	a	b	∅c	c1	c2	G	h	s	SW
100	15,6	44	6	3	20	G½B	86	3,5	22

bottom back connection



Dimensions (mm)

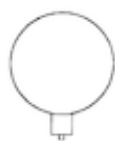
NG	b	∅c	c1	c2	e	G	g	s	SW
100	44	6	3	20	26,5	G½B	76	3,5	22



Versions

RF100I D201

Housing \varnothing	Connection	Alignment	Housing	Accuracy class	Range	Type	Part no.
100 mm	G½B	Bottom	Sheet steel, black	1,0	-1/0 bar	RF100I D201	85301201
100 mm	G½B	Bottom	Sheet steel, black	1,0	-1/+0.6 bar	RF100I D201	85302201
100 mm	G½B	Bottom	Sheet steel, black	1,0	-1/+1.5 bar	RF100I D201	85303201
100 mm	G½B	Bottom	Sheet steel, black	1,0	-1/+3 bar	RF100I D201	85304201
100 mm	G½B	Bottom	Sheet steel, black	1,0	-1/+5 bar	RF100I D201	85305201
100 mm	G½B	Bottom	Sheet steel, black	1,0	-1/+9 bar	RF100I D201	85306201
100 mm	G½B	Bottom	Sheet steel, black	1,0	-1/+15 bar	RF100I D201	85307201
100 mm	G½B	Bottom	Sheet steel, black	1,0	0/0.6 bar	RF100I D201	85309201
100 mm	G½B	Bottom	Sheet steel, black	1,0	0/1 bar	RF100I D201	85310201
100 mm	G½B	Bottom	Sheet steel, black	1,0	0/1.6 bar	RF100I D201	85311201
100 mm	G½B	Bottom	Sheet steel, black	1,0	0/2.5 bar	RF100I D201	85312201
100 mm	G½B	Bottom	Sheet steel, black	1,0	0/4 bar	RF100I D201	85313201
100 mm	G½B	Bottom	Sheet steel, black	1,0	0/6 bar	RF100I D201	85314201
100 mm	G½B	Bottom	Sheet steel, black	1,0	0/10 bar	RF100I D201	85315201
100 mm	G½B	Bottom	Sheet steel, black	1,0	0/16 bar	RF100I D201	85316201
100 mm	G½B	Bottom	Sheet steel, black	1,0	0/25 bar	RF100I D201	85317201
100 mm	G½B	Bottom	Sheet steel, black	1,0	0/40 bar	RF100I D201	85318201
100 mm	G½B	Bottom	Sheet steel, black	1,0	0/60 bar	RF100I D201	85319201
100 mm	G½B	Bottom	Sheet steel, black	1,0	0/100 bar	RF100I D201	85320201
100 mm	G½B	Bottom	Sheet steel, black	1,0	0/160 bar	RF100I D201	85321201
100 mm	G½B	Bottom	Sheet steel, black	1,0	0/250 bar	RF100I D201	85322201
100 mm	G½B	Bottom	Sheet steel, black	1,0	0/400 bar	RF100I D201	85323201
100 mm	G½B	Bottom	Sheet steel, black	1,0	0/600 bar	RF100I D201	85324201
100 mm	G½B	Bottom	Sheet steel, black	1,0	0/1,000 bar	RF100I D201	85325201

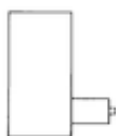


Blue part no. = in-stock items



RF100I D211

Housing \varnothing	Connection	Alignment	Housing	Accuracy class	Range	Type	Part no.
100 mm	G½B	Bottom back	Sheet steel, black	1,0	-1/0 bar	RF100I D211	85301211
100 mm	G½B	Bottom back	Sheet steel, black	1,0	-1/+0.6 bar	RF100I D211	85302211
100 mm	G½B	Bottom back	Sheet steel, black	1,0	-1/+1.5 bar	RF100I D211	85303211
100 mm	G½B	Bottom back	Sheet steel, black	1,0	-1/+3 bar	RF100I D211	85304211
100 mm	G½B	Bottom back	Sheet steel, black	1,0	-1/+5 bar	RF100I D211	85305211
100 mm	G½B	Bottom back	Sheet steel, black	1,0	-1/+9 bar	RF100I D211	85306211
100 mm	G½B	Bottom back	Sheet steel, black	1,0	-1/+15 bar	RF100I D211	85307211
100 mm	G½B	Bottom back	Sheet steel, black	1,0	0/0.6 bar	RF100I D211	85309211
100 mm	G½B	Bottom back	Sheet steel, black	1,0	0/1 bar	RF100I D211	85310211
100 mm	G½B	Bottom back	Sheet steel, black	1,0	0/1.6 bar	RF100I D211	85311211
100 mm	G½B	Bottom back	Sheet steel, black	1,0	0/2.5 bar	RF100I D211	85312211
100 mm	G½B	Bottom back	Sheet steel, black	1,0	0/4 bar	RF100I D211	85313211
100 mm	G½B	Bottom back	Sheet steel, black	1,0	0/6 bar	RF100I D211	85314211
100 mm	G½B	Bottom back	Sheet steel, black	1,0	0/10 bar	RF100I D211	85315211
100 mm	G½B	Bottom back	Sheet steel, black	1,0	0/16 bar	RF100I D211	85316211
100 mm	G½B	Bottom back	Sheet steel, black	1,0	0/25 bar	RF100I D211	85317211
100 mm	G½B	Bottom back	Sheet steel, black	1,0	0/40 bar	RF100I D211	85318211
100 mm	G½B	Bottom back	Sheet steel, black	1,0	0/60 bar	RF100I D211	85319211
100 mm	G½B	Bottom back	Sheet steel, black	1,0	0/100 bar	RF100I D211	85320211
100 mm	G½B	Bottom back	Sheet steel, black	1,0	0/160 bar	RF100I D211	85321211
100 mm	G½B	Bottom back	Sheet steel, black	1,0	0/250 bar	RF100I D211	85322211
100 mm	G½B	Bottom back	Sheet steel, black	1,0	0/400 bar	RF100I D211	85323211
100 mm	G½B	Bottom back	Sheet steel, black	1,0	0/600 bar	RF100I D211	85324211



Blue part no. = in-stock items