



## Diaphragm seal MD 56 NEUMO BioControl®



### Benefits

- Defined installation and press-fitting with metal stop
- Medium cannot get behind the seal
- SIP/CIP enabled


### Application

Flange type diaphragm seal MD 56 for sterile process separation of pressure measuring and control units in pipes or tanks. For mounting to Bourdon tube pressure gauges, pressure transducers and pressure switches. For installation in sterile processes without dead spaces. Typical application areas:

Sterile applications in process engineering  
 Pharmaceutical industry  
 Biotechnology  
 Food and beverages industry  
 Beverage machines  
 Dairies  
 Breweries

### Versions

#### NEUMO BioControl®

	Process connection	Instrument connection	Minimum range* (in bar) at nominal size				Part no.
			63	100	160	DMU	
	D25	Welded connection	4 bar	4 bar	0.6 bar	0.6 bar	31410W
	D50	Welded connection	0.6 bar	0.6 bar	0.6 bar	0.6 bar	31411W
	D65	Welded connection	0.6 bar	0.6 bar	0.6 bar	0.6 bar	31412W
	D80	Welded connection	0.6 bar	0.6 bar	0.6 bar	0.6 bar	31413W

Blue part no. = in-stock items



## Description

All materials used are FDA-listed. Defined installation as per EHEDG hygienic design recommendations. The chemical seal and the measuring instrument are welded together, resulting in an inseparable single, shock- and vibration-resistant unit without external edges that might collect dirt. The chemical seals are available with nominal diameters 25, 50, 65, 80; due to their compact design, they are suitable for a wide range of applications.

## Technical specifications

### Process connection

Stainless steel 316 L  
NEUMO BioControl®  
D25, D50, D65, D80

### Diaphragm

Stainless steel 316 L

### Material (wetted parts)

Stainless steel 316 L, EPDM  
USP CLASS VI classified, FDA-listed

### Surface roughness $R_a$

$\leq 0,8 \mu\text{m}$

### Seal

EPDM

### Instrument connection

Welded connection

### Pressure transmission liquid

Paraffin oil (FM 09), FDA-listed

### Pressure range

See overview of versions

### Can be mounted to

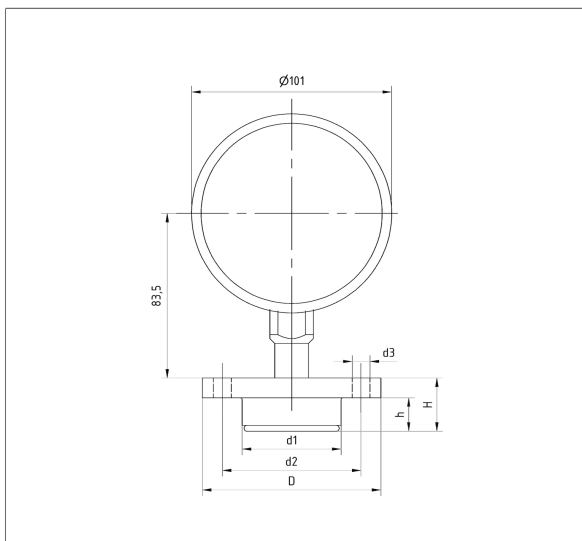
- Bourdon tube pressure gauges NG 50, 63, 80, 100, 160
- Pressure transducers (DMU)
- Pressure switches (DS)

## Options

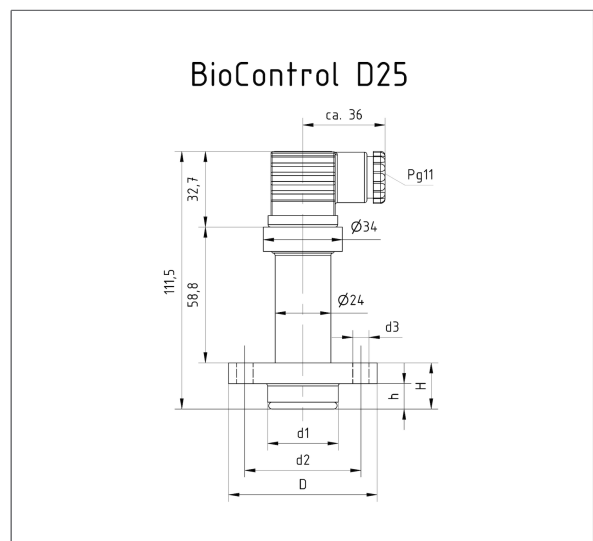
- Other materials
- Electropolished
- Cooling element
- Capillary
- Other filling liquids
- Accessories such as housing, block flange and seals

## Technical drawings

Pressure gauge NG 100 with MD 56



Pressure transducer DMU 02 Vario BC





An- schluss	D	d1	d2	d3	H	h
BioCon- troll® D25	64	30,4	50	4 x ø 7	20	11
BioCon- troll® D50	90	49,9	70	4 x ø 9	27	17
BioCon- troll® D65	120	67,9	95	4 x ø 11	27	17
BioCon- troll® D80	140	87,4	115	4 x ø 11	37	25

