



## Bourdon tube pressure gauges for industrial applications Type D3



### Benefits

- For machine and plant engineering
- Robust stainless steel housing
- Many customised versions available

### Application

For gaseous and liquid media which are not highly viscous, do not crystallise and do not attack copper alloys.

! For high measuring accuracy. For measuring gas or vapour, observe the table "Selection Criteria as per EN 837-2" (see appendix)!

### Technical specifications

#### Type

D3

#### Nominal size

100

#### Accuracy class (EN 837-1/6)

1,0

#### Ranges (EN 837-1/5)

See ordering table

#### Application area

Static load

≤ 600 bar: Full scale value  
> 600 bar:  $\frac{3}{4}$  x full scale value

Dynamic load

≤ 600 bar: 0.9 x full scale value  
> 600 bar:  $\frac{3}{4}$  x full scale value

Short-term

≤ 600 bar: 1.3 x full scale value  
> 600 bar: Full scale value

#### Operating temperature range

Medium: Max. 60 °C

Ambient: -20/+60 °C

#### Temperature performance

Indication error when the temperature of the measuring system deviates from the normal temperature of 20 °C:

at rising temperature approx.  $\pm 0.4 \%$ /10 K

falling temperature approx.  $\pm 0.4 \%$ /10 K

of full scale value

#### Degree of protection

IP 32 (EN 60529)



## Standard version

### Connection

Brass, bottom or bottom back

### Measuring element

Bourdon tube

≤ 60 bar: "C" type tube, Copper alloy

> 60 bar: Helical tube, stainless steel 316 Ti/316 L

### Movement

Brass

### Dial

Aluminium, white

Scaling black

### Pointer

Aluminium, black

### Housing

Stainless steel 304

### Window

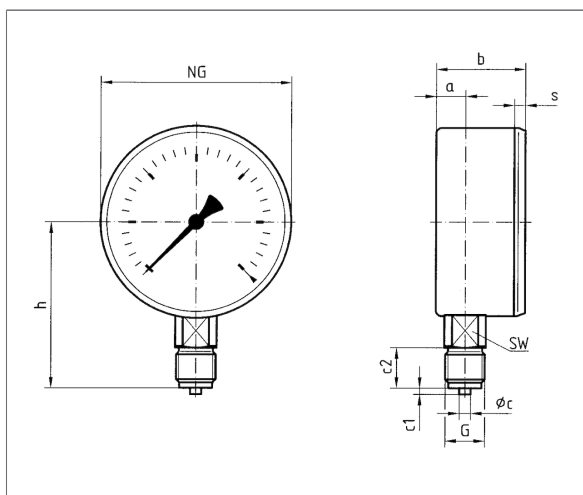
Plastic, clipped in

## Options

- Damping screw
- Reference pointer
- Electrical contacts
- Special scales
- Other process connections

## Technical drawings

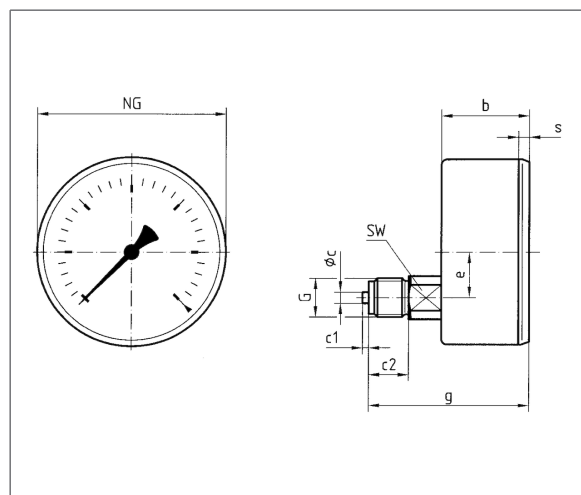
### Bottom connection



#### Dimensions (mm)

NG	a	b	∅c	c1	c2	G	h	s	SW
100	15,6	44	6	3	20	G½B	86	3,5	22

### bottom back connection



#### Dimensions (mm)

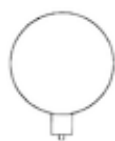
NG	b	∅c	c1	c2	e	G	g	s	SW
100	44	6	3	20	26,5	G½B	76	3,5	22



## Versions

### RF100I D301

Housing $\varnothing$	Connection	Alignment	Housing	Accuracy class	Range	Type	Part no.
100 mm	G½B	Bottom	Stainless steel 304	1,0	-1/0 bar	RF100I D301	85301301
100 mm	G½B	Bottom	Stainless steel 304	1,0	-1/+0.6 bar	RF100I D301	85302301
100 mm	G½B	Bottom	Stainless steel 304	1,0	-1/+1.5 bar	RF100I D301	85303301
100 mm	G½B	Bottom	Stainless steel 304	1,0	-1/+3 bar	RF100I D301	85304301
100 mm	G½B	Bottom	Stainless steel 304	1,0	-1/+5 bar	RF100I D301	85305301
100 mm	G½B	Bottom	Stainless steel 304	1,0	-1/+9 bar	RF100I D301	85306301
100 mm	G½B	Bottom	Stainless steel 304	1,0	-1/+15 bar	RF100I D301	85307301
100 mm	G½B	Bottom	Stainless steel 304	1,0	0/0.6 bar	RF100I D301	85309301
100 mm	G½B	Bottom	Stainless steel 304	1,0	0/1 bar	RF100I D301	85310301
100 mm	G½B	Bottom	Stainless steel 304	1,0	0/1.6 bar	RF100I D301	85311301
100 mm	G½B	Bottom	Stainless steel 304	1,0	0/2.5 bar	RF100I D301	85312301
100 mm	G½B	Bottom	Stainless steel 304	1,0	0/4 bar	RF100I D301	85313301
100 mm	G½B	Bottom	Stainless steel 304	1,0	0/6 bar	RF100I D301	85314301
100 mm	G½B	Bottom	Stainless steel 304	1,0	0/10 bar	RF100I D301	85315301
100 mm	G½B	Bottom	Stainless steel 304	1,0	0/16 bar	RF100I D301	85316301
100 mm	G½B	Bottom	Stainless steel 304	1,0	0/25 bar	RF100I D301	85317301
100 mm	G½B	Bottom	Stainless steel 304	1,0	0/40 bar	RF100I D301	85318301
100 mm	G½B	Bottom	Stainless steel 304	1,0	0/60 bar	RF100I D301	85319301
100 mm	G½B	Bottom	Stainless steel 304	1,0	0/100 bar	RF100I D301	85320301
100 mm	G½B	Bottom	Stainless steel 304	1,0	0/160 bar	RF100I D301	85321301
100 mm	G½B	Bottom	Stainless steel 304	1,0	0/250 bar	RF100I D301	85322301
100 mm	G½B	Bottom	Stainless steel 304	1,0	0/400 bar	RF100I D301	85323301
100 mm	G½B	Bottom	Stainless steel 304	1,0	0/600 bar	RF100I D301	85324301
100 mm	G½B	Bottom	Stainless steel 304	1,0	0/1,000 bar	RF100I D301	85325301

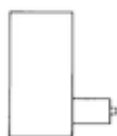


Blue part no. = in-stock items



**RF100I D311**

Housing $\varnothing$	Connection	Alignment	Housing	Accuracy class	Range	Type	Part no.
100 mm	G½B	Bottom back	Stainless steel 304	1,0	-1/0 bar	RF100I D311	85301311
100 mm	G½B	Bottom back	Stainless steel 304	1,0	-1/+0.6 bar	RF100I D311	85302311
100 mm	G½B	Bottom back	Stainless steel 304	1,0	-1/+1.5 bar	RF100I D311	85303311
100 mm	G½B	Bottom back	Stainless steel 304	1,0	-1/+3 bar	RF100I D311	85304311
100 mm	G½B	Bottom back	Stainless steel 304	1,0	-1/+5 bar	RF100I D311	85305311
100 mm	G½B	Bottom back	Stainless steel 304	1,0	-1/+9 bar	RF100I D311	85306311
100 mm	G½B	Bottom back	Stainless steel 304	1,0	-1/+15 bar	RF100I D311	85307311
100 mm	G½B	Bottom back	Stainless steel 304	1,0	0/0.6 bar	RF100I D311	85309311
100 mm	G½B	Bottom back	Stainless steel 304	1,0	0/1 bar	RF100I D311	85310311
100 mm	G½B	Bottom back	Stainless steel 304	1,0	0/1.6 bar	RF100I D311	85311311
100 mm	G½B	Bottom back	Stainless steel 304	1,0	0/2.5 bar	RF100I D311	85312311
100 mm	G½B	Bottom back	Stainless steel 304	1,0	0/4 bar	RF100I D311	85313311
100 mm	G½B	Bottom back	Stainless steel 304	1,0	0/6 bar	RF100I D311	85314311
100 mm	G½B	Bottom back	Stainless steel 304	1,0	0/10 bar	RF100I D311	85315311
100 mm	G½B	Bottom back	Stainless steel 304	1,0	0/16 bar	RF100I D311	85316311
100 mm	G½B	Bottom back	Stainless steel 304	1,0	0/25 bar	RF100I D311	85317311
100 mm	G½B	Bottom back	Stainless steel 304	1,0	0/40 bar	RF100I D311	85318311
100 mm	G½B	Bottom back	Stainless steel 304	1,0	0/60 bar	RF100I D311	85319311
100 mm	G½B	Bottom back	Stainless steel 304	1,0	0/100 bar	RF100I D311	85320311
100 mm	G½B	Bottom back	Stainless steel 304	1,0	0/160 bar	RF100I D311	85321311
100 mm	G½B	Bottom back	Stainless steel 304	1,0	0/250 bar	RF100I D311	85322311
100 mm	G½B	Bottom back	Stainless steel 304	1,0	0/400 bar	RF100I D311	85323311
100 mm	G½B	Bottom back	Stainless steel 304	1,0	0/600 bar	RF100I D311	85324311



Blue part no. = in-stock items