



Diaphragm seal MD 63 for VARINLINE® housings



Benefits

- Defined installation and press-fitting with metal stop
- Hygienic design as per EHEDG recommendations
- Medium cannot get behind the seal
- SIP/CIP enabled

Application

Diaphragm seal MD 63 for sterile process separation of pressure measuring and control units in pipes or tanks. For mounting to Bourdon tube pressure gauges, pressure transducers and pressure switches. For installation in sterile processes without dead spaces. Typical application areas:

- Sterile applications in process engineering
- Pharmaceutical industry
- Biotechnology
- Food and beverages industry
- Beverage machines
- Dairies
- Breweries

Versions

for VARIVENT®/VARINLINE® In-Line housing

	Process connection	Instrument connection	Nominal pressure	Minimum range* (in bar) at nominal size					Part no.
				63	100	160	DMU	DMU 13 Vario	
	Type F	Welded connection	PN 25	4 bar	4 bar	–	1 bar	1 bar	31340W
	Type N	Welded connection	PN 25	0.6 bar	0.6 bar	0.6 bar	0.6 bar	0.6 bar	31341W

Blue part no. = in-stock items

Description

All materials used are FDA-listed and comply with the EHEDG hygienic design recommendations. The chemical seal and the measuring instrument are welded together, resulting in an inseparable single, shock- and vibration-resistant unit without external edges that might collect dirt. The chemical seal is available for type F and type N; due to its compact design, it is suitable for a wide range of applications.



Technical specifications

Process connection

Stainless steel 316 L

Type F for housings DN 25 and 1"

Type N for housings DN 40-125 and 1½"- 6"

Nominal installation diameter

Type F: 50 mm

Type N: 68 mm

Diaphragm

Stainless steel 316 L

Material (wetted parts)

Stainless steel 316 L, EPDM

USP CLASS VI classified, FDA-listed

Surface roughness R_a

$\leq 0.8 \mu\text{m}$

Seal

EPDM

Instrument connection

Welded connection

Pressure transmission liquid

Paraffin oil (FM 09), FDA-listed

Pressure range

See overview of versions

Nominal pressure

PN 25

Can be mounted to

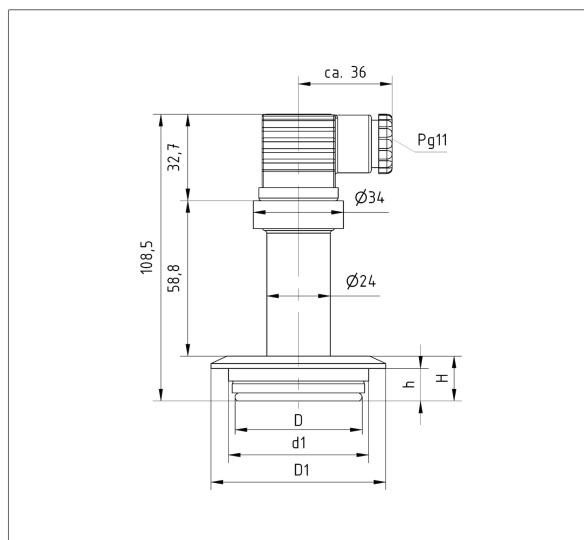
- Bourdon tube pressure gauges NG 50, 63, 80, 100, 160
- Pressure transducers (DMU)
- Pressure switches (DS)

Options

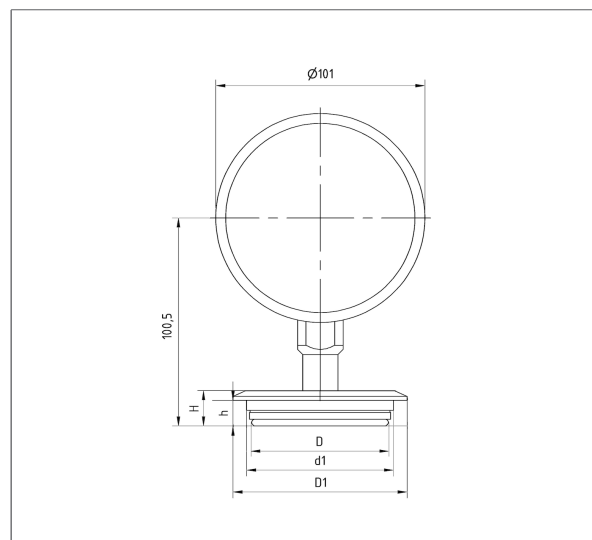
- Other materials
- Electropolished
- Cooling element, electropolished ($> 100 \text{ }^\circ\text{C}$)
- Capillary tube
- Other filling liquids
- Accessories (brackets, housings and seals)

Technical drawings

pressure transducer DMU 02 Vario VT with MD 63 Varivent type



pressure gauge NG 100 with MD 63 Varivent type N





An- schluss(in bar) bei NenngroÙe	Mindestanzeigebereich				D	D1	d1	H	h	VARIN- LINE
	63	100	160	DMU						
VARI- VENT® Form F	4	4	-	1	50	66	53	17	12,3	DN 25, 1"
VARI- VENT® Form N	0,6	0,6	0,6	0,6	68	84	71	17	12,3	DN 40-125, 1½"-6"