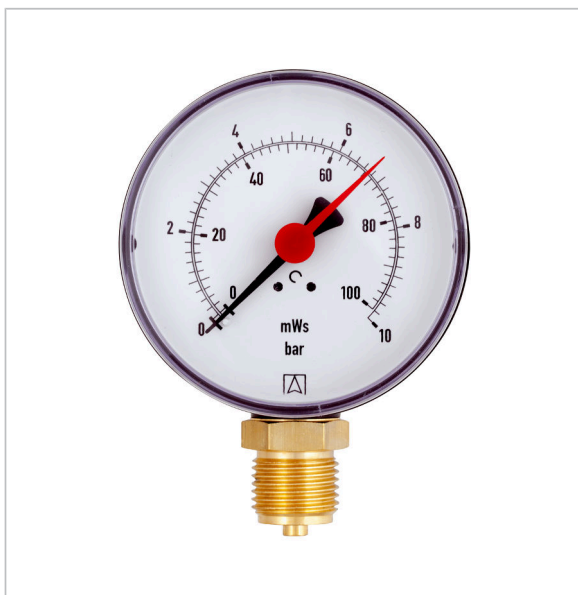


Hydrometers HY for heating/plumbing



Technical specifications

Nominal size

80 – 100

Accuracy class (EN 837-1/6)

2,5

Ranges

0/1 bar
0/1.6 bar
0/6 bar
0/10 bar
0/0.6 bar
0/2.5 bar
0/4 bar

Application area

Static load: $\frac{1}{4}$ x full scale value
Dynamic load: $\frac{1}{2}$ x full scale value
Short-term: Full scale value

Standard version

Connection

Brass, bottom

NG 80: G $\frac{1}{2}$ B

NG 100: G $\frac{1}{2}$ B

Measuring element

Bourdon tube, "C" type tube
Copper alloy

Movement

Brass

Dial

Plastic, white
Dual scale bar outer - mWC inner
Scaling black

Operating temperature range

Medium: Max. 60 °C

Ambient: -20/+60 °C

Temperature performance

Indication error when the temperature of the measuring system deviates from the normal temperature of 20 °C:
at rising temperature approx. ± 0.4 %/10 K
falling temperature approx. ± 0.4 %/10 K
of full scale value

Degree of protection

IP 32 (EN 60529)

Pointer

Plastic, black

Housing

Plastic (ABS), black, highly impact-resistant and corrosion-resistant

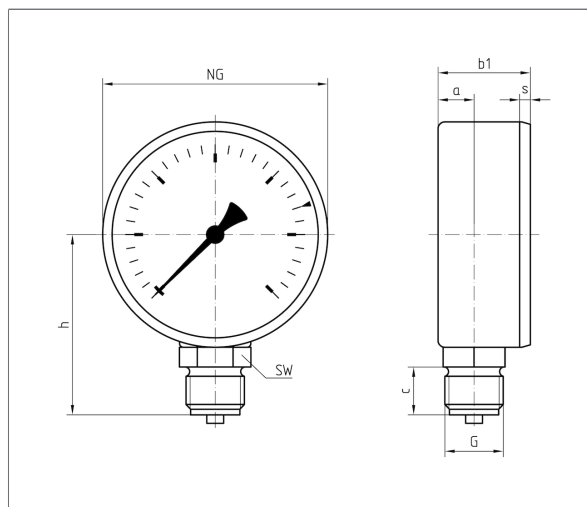
Window

Plastic, clipped in
With adjustable red reference pointer



Technical drawings

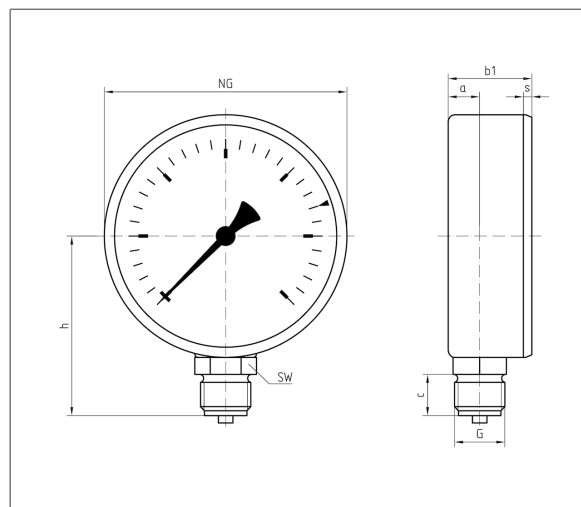
RF 80/HY 80/HZ 80 – bottom connection



Dimensions (mm)

NG	a	b1	c	G	h	s	SW
80	12,8	32,8	17	G½B	64	2,8	14

RF 100/HY 100 – bottom connection



Dimensions (mm)

NG	a	b1	c	G	h	s	SW
100	15,5	34,5	17	G½B	74	3,5	22

Versions

HY 80

	Housing \varnothing	Connection	Alignment	Range	Type	Part no.
	80 mm	G½B	Bottom	0/1 bar	HY 80	63570
	80 mm	G½B	Bottom	0/1.6 bar	HY 80	63571
	80 mm	G½B	Bottom	0/6 bar	HY 80	63574
	80 mm	G½B	Bottom	0/10 bar	HY 80	63575

Blue part no. = in-stock items

HY 100

	Housing \varnothing	Connection	Alignment	Range	Type	Part no.
	100 mm	G½B	Bottom	0/0.6 bar	HY 100	63281
	100 mm	G½B	Bottom	0/1 bar	HY 100	63282
	100 mm	G½B	Bottom	0/1.6 bar	HY 100	63283
	100 mm	G½B	Bottom	0/2.5 bar	HY 100	63284

Blue part no. = in-stock items



Housing [⊗]	Connection	Alignment	Range	Type	Part no.
100 mm	G½B	Bottom	0/4 bar	HY 100	63285
100 mm	G½B	Bottom	0/6 bar	HY 100	63286
100 mm	G½B	Bottom	0/10 bar	HY 100	63287

Blue part no. = in-stock items